

# KLOCEK P 50 066

Klocek P 50 066 jest synonimem niezawodności.

Klocek hamulcowy Brembo gwarantuje maksymalne bezpieczeństwo podczas hamowania dzięki zastosowaniu ponad 100 różnych związków, opracowanych zależnie od rodzaju pojazdu, w jakim jest stosowany. Droga hamowania ograniczona do minimum, maksymalny komfort podczas prowadzenia i cicha praca to najważniejsze cechy materiałów Brembo. Klocki hamulcowe Brembo są oferowane wraz z zestawem akcesoriów gwarantujących bezproblemowy montaż.



- ✓ Odpowiednik OE
- ✓ Jakość Brembo
- ✓ Certyfikat ECE-R90
- ✓ Bezpieczeństwo
- ✓ Performance
- ✓ Komfort

## Dane techniczne

Kod EAN  
**8020584061053**

**Tylna**

Grubość  
**16 mm**

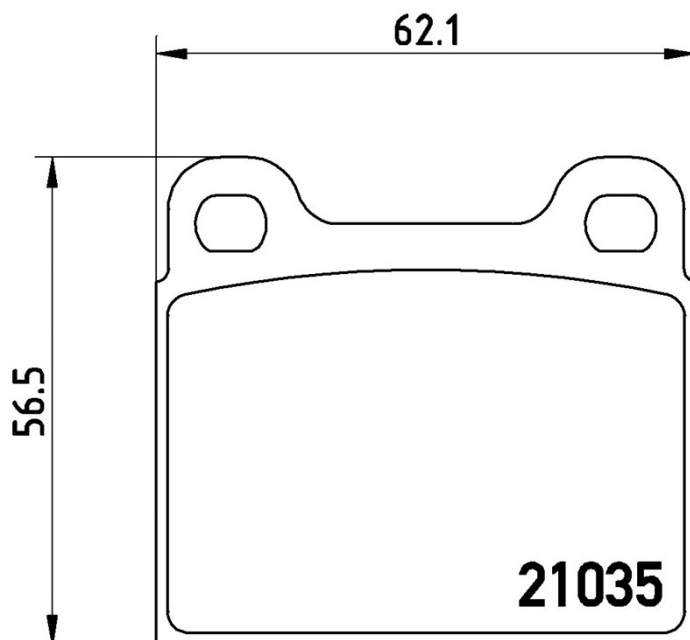
Szerokość  
**62 mm**

Wysokość  
**57 mm**

Układ hamulcowy  
**Teves**

Wskaźnik zużycia  
**Brak**

WVA  
**21035**



## POJAZDY KOMPATYBILNE

### MASERATI

GHIBLI II	2.0	236/321	05.92 09.94
-----------	-----	---------	-------------

### MERCEDES-BENZ

/8 (W114)	230.6 (114.015)	88/120	01.68 11.76
-----------	-----------------	--------	-------------

/8 (W114)	250	96/130	07.68 08.72
/8 (W114)	250 (114.010)	85/116	01.68 08.72
/8 (W114)	250 2.8 (114.011)	96/130	06.72 11.76
/8 (W114)	280 (114.060)	118/160	06.72 11.76
/8 (W114)	280 E (114.062)	136/185	06.72 11.76
/8 (W115)	200	70/95	01.68 01.77
/8 (W115)	200 (115.015)	63/86	01.68 01.77
/8 (W115)	200 D (115.115)	40/55	01.68 01.77
/8 (W115)	220 (115.010)	77/105	01.68 07.73
/8 (W115)	220 (115.010)	66/90	01.68 07.73
/8 (W115)	220 D (115.110)	44/60	01.68 01.77
/8 (W115)	230.4 (115.017)	81/110	08.73 12.76
/8 (W115)	240 D (115.117)	48/65	08.73 01.77
/8 (W115)	240 D 3.0 (115.114)	59/80	08.74 11.76
/8 Coupe (W114)	250 C (114.021)	96/130	04.69 06.72
/8 Coupe (W114)	250 C 2.8 (114.023)	96/130	06.72 11.76
/8 Coupe (W114)	250 CE (114.022)	110/150	04.69 04.72
/8 Coupe (W114)	280 C (114.073)	118/160	06.72 02.77
/8 Coupe (W114)	280 CE (114.072)	136/185	06.72 01.77
123 Coupe (C123)	230 C (123.043)	80/109	05.77 04.80
123 Coupe (C123)	230 CE (123.243)	100/136	04.80 12.85
123 Coupe (C123)	280 C (123.050)	115/156	03.77 03.80
123 Coupe (C123)	280 CE	136/185	03.77 11.85
123 Coupe (C123)	280 CE	130/177	09.77 08.79
123 Coupe (C123)	300 C Turbo-D (123.153)	92/125	09.81 07.85
123 Saloon (W123)	200	62/84	02.76 08.80
123 Saloon (W123)	200	74/101	06.80 11.85
123 Saloon (W123)	200 (123.020)	69/94	02.76 08.80
123 Saloon (W123)	200 (123.220)	80/109	06.80 11.85
123 Saloon (W123)	200 D	44/60	03.79 11.85
123 Saloon (W123)	200 D (123.120)	40/55	07.76 02.79
123 Saloon (W123)	220 D	49/67	01.77 03.79
123 Saloon (W123)	220 D (123.126)	44/60	01.76 02.79
123 Saloon (W123)	230 (123.023)	80/109	02.76 03.81
123 Saloon (W123)	230 E (123.223)	100/136	04.80 12.85
123 Saloon (W123)	240 D (123.123)	53/72	03.79 11.85
123 Saloon (W123)	240 D (123.123)	48/65	02.76 02.79
123 Saloon (W123)	250 (123.026)	103/140	10.79 07.85
123 Saloon (W123)	250 (123.026)	95/129	02.76 10.79
123 Saloon (W123)	280 (123.030)	115/156	02.76 08.81
123 Saloon (W123)	280 E	130/177	08.76 08.81
123 Saloon (W123)	280 E (123.033)	136/185	02.76 11.85
123 Saloon (W123)	300 D (123.130)	59/80	02.76 07.80
123 Saloon (W123)	300 D (123.130)	65/88	03.79 11.85
123 Saloon (W123)	300 Turbo-D (123.133)	92/125	08.81 07.85
123 T-Model (S123)	200 T	80/109	11.80 11.85
123 T-Model (S123)	200 T (123.280)	74/101	11.80 11.85

123 T-Model (S123)	230 T (123.083)	80/109	09.77 03.80
123 T-Model (S123)	230 TE (123.283)	100/136	04.80 11.85
123 T-Model (S123)	240 T D	48/65	09.77 02.79
123 T-Model (S123)	240 T D (123.183)	53/72	03.79 12.85
123 T-Model (S123)	250 T (123.086)	103/140	05.78 08.82
123 T-Model (S123)	250 T (123.086)	95/129	05.78 10.79
123 T-Model (S123)	280 TE (123.093)	136/185	09.77 11.85
123 T-Model (S123)	300 T D (123.190)	59/80	09.77 10.85
123 T-Model (S123)	300 T D (123.190)	65/88	03.79 11.85
123 T-Model (S123)	300 T Turbo-D (123.193)	92/125	10.80 11.85
CABRIOLET (W111, W112)	280 SE 3.5 (111.025)	147/200	04.68 12.71
HECKFLOSSE (W110)	200	70/95	07.65 02.68
HECKFLOSSE (W110)	200 (110.010)	61/83	07.65 02.68
HECKFLOSSE (W110)	200 D (110.110)	40/55	07.65 02.68
HECKFLOSSE (W110)	230	88/120	06.66 12.67
HECKFLOSSE (W110)	230 (110.011)	77/105	07.65 02.68
HECKFLOSSE (W111, W112)	230 S (111.010)	88/120	07.65 01.68
HECKFLOSSE (W111, W112)	300 SE (112.014, 112.015)	118/160	02.61 02.64
HECKFLOSSE (W111, W112)	300 SE (112.021, 112.023)	125/170	02.64 07.65
PAGODE (W113)	230 SL (113.042)	110/150	01.63 01.67
S-CLASS (W116)	280 S (116.020)	115/156	08.72 07.80
S-CLASS (W116)	280 S (116.020)	118/160	08.72 07.80
S-CLASS (W116)	280 SE, SEL (116.024)	130/177	08.72 07.80
S-CLASS (W116)	280 SE, SEL (116.024)	136/185	08.72 07.80
S-CLASS (W116)	350 SE, SEL (116.028, 116.029)	147/200	08.72 02.76
S-CLASS (W116)	350 SE, SEL (116.028, 116.029)	143/194	03.76 03.80
S-CLASS (W116)	350 SE, SEL (116.028, 116.029)	151/205	03.76 03.80
S-CLASS (W116)	450 SE	143/194	08.72 12.76
S-CLASS (W116)	450 SE, SEL (116.032)	165/224	01.73 04.80
S-CLASS (W116)	450 SE, SEL (116.033)	160/218	12.75 04.80
S-CLASS (W116)	450 SEL 6.9 (116.036)	210/286	07.75 03.80
S-CLASS (W126)	260 SE (126.020)	118/160	09.85 06.91
S-CLASS (W126)	260 SE (126.020)	122/166	09.85 06.91
S-CLASS (W126)	280 S (126.021)	115/156	12.79 07.85
S-CLASS (W126)	280 SE, SEL (126.022, 126.023)	136/185	10.79 07.85
S-CLASS (W126)	3.8	160/218	08.80 08.84
S-CLASS (W126)	300 SE, SEL (126.024, 126.025)	138/188	09.85 12.89
S-CLASS (W126)	300 SE, SEL (126.024, 126.025)	132/180	01.86 06.91
S-CLASS (W126)	380 SE, SEL (126.032)	150/204	10.81 08.85
S-CLASS (W126)	380 SE, SEL (126.032, 126.033)	160/218	09.80 10.81
S-CLASS (W126)	420 SE, SEL	170/231	10.85 12.87
S-CLASS (W126)	420 SE, SEL	165/224	10.85 06.91
S-CLASS (W126)	420 SE, SEL (126.034)	160/218	10.85 12.87
S-CLASS (W126)	420 SE, SEL (126.034, 126.035)	150/204	10.85 06.91
S-CLASS (W126)	500 SE, SEL	185/252	09.87 06.91
S-CLASS (W126)	500 SE, SEL	195/265	09.87 06.91
S-CLASS (W126)	500 SE, SEL (126.036)	170/231	12.79 08.85

S-CLASS (W126)	500 SE, SEL (126.036)	177/241	12.79 08.85
S-CLASS (W126)	500 SE, SEL (126.036)	164/223	09.85 06.91
S-CLASS (W126)	500 SE, SEL (126.036)	180/245	09.85 06.91
S-CLASS (W126)	500 SE, SEL Cat	185/252	06.89 06.91
S-CLASS (W126)	560 SE, SEL	220/300	10.85 06.91
S-CLASS (W126)	560 SE, SEL	205/279	08.87 06.91
S-CLASS (W126)	560 SE, SEL (126.038)	200/272	10.85 12.87
S-CLASS (W126)	560 SE, SEL (126.038, 126.039)	178/242	10.85 06.91
S-CLASS Coupe (C126)	380 SEC (126.043)	150/204	10.81 07.85
S-CLASS Coupe (C126)	420 SEC (126.046)	160/218	10.85 12.87
S-CLASS Coupe (C126)	420 SEC (126.046)	150/204	10.85 06.91
S-CLASS Coupe (C126)	420 SEC (126.046)	165/224	10.85 06.91
S-CLASS Coupe (C126)	420 SEC (126.046)	170/231	09.86 06.91
S-CLASS Coupe (C126)	500 SEC (126.044)	170/231	10.81 08.85
S-CLASS Coupe (C126)	500 SEC (126.044)	180/245	09.85 06.91
S-CLASS Coupe (C126)	500 SEC (126.044)	164/223	10.85 06.91
S-CLASS Coupe (C126)	500 SEC (126.044)	185/252	08.87 06.91
S-CLASS Coupe (C126)	500 SEC (126.044)	195/265	09.85 06.91
S-CLASS Coupe (C126)	500 SEC Cat	185/252	06.89 06.91
S-CLASS Coupe (C126)	560 SEC (126.045)	200/272	10.85 12.87
S-CLASS Coupe (C126)	560 SEC (126.045)	220/300	10.85 12.89
S-CLASS Coupe (C126)	560 SEC (126.045)	178/242	10.85 06.91
S-CLASS Coupe (C126)	560 SEC (126.045)	205/279	10.85 06.91
S-CLASS Saloon (W108, W109)	250 S (108.012)	96/130	01.66 12.69
S-CLASS Saloon (W108, W109)	250 SE (108.014)	110/150	01.66 12.67
S-CLASS Saloon (W108, W109)	280 S (108.016)	103/140	10.67 07.72
S-CLASS Saloon (W108, W109)	280 SE, SEL (108.018, 108.019)	118/160	01.68 08.72
S-CLASS Saloon (W108, W109)	280 SE, SEL 3.5 (108.057, 108.058)	147/200	03.71 08.72
S-CLASS Saloon (W108, W109)	300 SEL (109.016)	118/160	01.68 08.72
S-CLASS Saloon (W108, W109)	300 SEL 3.5 (109.056)	147/200	01.70 07.72
S-CLASS Saloon (W108, W109)	300 SEL 6.3 (109.018)	184/250	03.68 08.72
SL (R107)	280 SL (107.042)	136/185	08.74 07.85
SL (R107)	280 SL (107.042)	130/177	06.76 09.81
SL (R107)	300 SL (107.041)	132/180	09.85 08.89
SL (R107)	300 SL (107.041)	138/188	09.85 08.89
SL (R107)	350 SL (107.043)	143/195	05.71 02.80
SL (R107)	380 SL (107.045)	160/218	09.80 08.81
SL (R107)	380 SL (107.045)	150/204	09.80 08.85
SL (R107)	420 SL (107.047)	150/204	01.86 08.89
SL (R107)	420 SL (107.047)	160/218	01.86 08.89
SL (R107)	450 SL (107.044)	165/224	10.72 10.80
SL (R107)	450 SL (107.044)	160/218	09.75 10.80
SL (R107)	500 SL (107.046)	177/241	05.80 12.81
SL (R107)	500 SL (107.046)	170/231	05.80 12.85
SL (R107)	500 SL (107.046)	164/223	01.86 08.89
SL (R107)	500 SL (107.046)	180/245	01.86 08.89
SL (R107)	560 SL (107.048)	169/230	09.85 12.89

SL Coupe (C107)	280 SLC (107.022)	136/185	08.74 09.81
SL Coupe (C107)	280 SLC (107.022)	130/177	06.76 09.81
SL Coupe (C107)	350 SLC (107.023)	147/200	01.72 02.76
SL Coupe (C107)	350 SLC (107.023)	143/195	03.76 02.80
SL Coupe (C107)	380 SLC (107.025)	160/218	07.80 08.81
SL Coupe (C107)	450 SLC (107.024)	160/218	09.75 08.79
SL Coupe (C107)	450 SLC (107.024)	165/225	01.73 11.75
SL Coupe (C107)	450 SLC 5.0 (107.026)	177/241	06.78 02.80

## OPEL

ADMIRAL B	2.8	107/146	03.69 02.75
ADMIRAL B	2.8	103/140	03.75 07.76
ADMIRAL B	2.8 E	121/165	03.69 02.75
ADMIRAL B	2.8 E	118/160	03.75 01.78
ADMIRAL B	2.8 S	97/132	03.69 07.75
ADMIRAL B	2.8 S	95/129	03.75 01.78
COMMODORE B	2.5	85/115	01.72 07.78
COMMODORE B	2.5 GS	96/130	01.72 08.75
COMMODORE B	2.8 GS	104/141	01.72 07.78
COMMODORE B	2.8 GS	103/140	03.75 07.78
COMMODORE B	2.8 GS/E	118/160	07.72 02.75
COMMODORE B	2.8 GS/E	114/155	03.75 07.78
COMMODORE B Coupe	2.5	85/115	01.72 07.78
COMMODORE B Coupe	2.5 GS	96/130	01.72 08.75
COMMODORE B Coupe	2.8 GS	104/141	12.72 07.78
COMMODORE B Coupe	2.8 GS	103/140	03.75 07.78
COMMODORE B Coupe	2.8 GS/E	118/160	07.72 02.75
COMMODORE B Coupe	2.8 GS/E	114/155	03.75 07.78
COMMODORE C (14_, 19_)	2.5 E	96/130	05.81 12.82
COMMODORE C (14_, 19_)	2.5 S	85/115	08.78 12.82
COMMODORE C Estate (61)	2.5 E	96/130	12.80 12.82
COMMODORE C Estate (61)	2.5 S	85/115	12.80 12.82
DIPLOMAT B	2.8 E	121/165	03.69 02.75
DIPLOMAT B	5.4	169/230	03.69 01.78
KAPITÁN	2.5	55/75	05.55 12.58
KAPITÁN P	P 2.6	66/90	05.58 12.63
MONZA A (22_)	2.2 E	85/115	11.84 08.86
MONZA A (22_)	2.5 E	103/140	06.84 08.86
MONZA A (22_)	3.0 GSE	115/156	09.85 08.86
SENATOR A (29_)	2.2 TD	63/86	11.84 08.87
SENATOR A (29_)	2.5 E	100/136	01.83 08.84
SENATOR A (29_)	2.5 E	103/140	09.84 08.87
SENATOR A (29_)	3.0	115/156	09.85 08.87

## VOLVO

P 122 S AMAZON	1.6	61/83	05.59 09.66
P 122 S AMAZON	1.8	66/90	02.67 05.71
P 122 S AMAZON	1.8	76/103	09.66 05.71

P 122 S AMAZON	1.8	59/80	05.59 07.67
P 122 S AMAZON	1.8	63/86	09.66 05.71
P 122 S AMAZON	2.0	74/101	11.68 05.71
P 122 S AMAZON Estate (120, 121)	1.8	59/80	08.61 07.67

## KOMPATYBILNE KODY OE

0004205720	MERCEDES-BENZ
0004205820	MERCEDES-BENZ
0004206220	MERCEDES-BENZ
0004206280	MERCEDES-BENZ
0004207620	MERCEDES-BENZ
0014200620	MERCEDES-BENZ
0014209320	MERCEDES-BENZ
0025864742	MERCEDES-BENZ
0025864842	MERCEDES-BENZ
A0004205720	MERCEDES-BENZ
A0004205820	MERCEDES-BENZ
A0004206220	MERCEDES-BENZ
A0004206280	MERCEDES-BENZ
A0004207620	MERCEDES-BENZ
A0014200620	MERCEDES-BENZ
A0014209320	MERCEDES-BENZ
A0025864742	MERCEDES-BENZ
A0025864842	MERCEDES-BENZ
7872906	SAAB
272675	VOLVO
272774	VOLVO
2728772	VOLVO