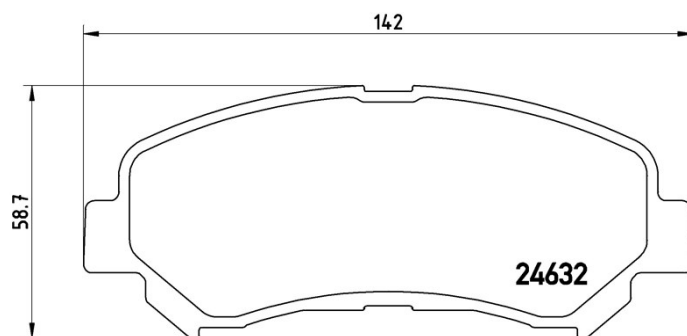


Dane techniczne klocków

Oś Przód	WVA 24632
Szerokość 142 mm	Grubość 17 mm
Wysokość 58,7 mm	Układ hamulcowy Akebono
Akcesoria	Wskaźnik zużycia Przygotowane



Referencja EAN
8020584061473



Pasujące pojazdy

NISSAN			
Model	Typ	kW	Rok
QASHQAI / QASHQAI +2 I (J10, JJ10)	1.5 dCi	81	01/10 12/13
QASHQAI / QASHQAI +2 I (J10, JJ10)	1.5 dCi	78	02/07 12/13
QASHQAI / QASHQAI +2 I (J10, JJ10)	1.5 dCi	76	07/08 12/13
QASHQAI / QASHQAI +2 I (J10, JJ10)	1.6	84	02/07 12/13
QASHQAI / QASHQAI +2 I (J10, JJ10)	1.6	86	11/10 12/13
QASHQAI / QASHQAI +2 I (J10, JJ10)	1.6 dCi	96	10/11 12/13
QASHQAI / QASHQAI +2 I (J10, JJ10)	1.6 dCi All-wheel Drive	96	10/11 12/13
QASHQAI / QASHQAI +2 I (J10, JJ10)	2.0	102	02/07 12/13
QASHQAI / QASHQAI +2 I (J10, JJ10)	2.0	104	02/07 12/13
QASHQAI / QASHQAI +2 I (J10, JJ10)	2.0 All-wheel Drive	102	02/07 12/13
QASHQAI / QASHQAI +2 I (J10, JJ10)	2.0 All-wheel Drive	104	02/07 12/13
QASHQAI / QASHQAI +2 I (J10, JJ10)	2.0 dCi	110	02/07 12/13
QASHQAI / QASHQAI +2 I (J10, JJ10)	2.0 dCi All-wheel Drive	110	02/07 12/13

SENTRA VI (B16)	2.5	132	09/06 12/12
X-TRAIL (T31)	2.0	101	06/07 11/13
X-TRAIL (T31)	2.0	104	06/07 11/13
X-TRAIL (T31)	2.0	102	06/08 02/14
X-TRAIL (T31)	2.0	103	06/08 11/13
X-TRAIL (T31)	2.0 dCi	127	06/07 11/13
X-TRAIL (T31)	2.0 dCi 4x4	110	06/07 11/13
X-TRAIL (T31)	2.0 dCi 4x4	130	10/09 11/13
X-TRAIL (T31)	2.0 dCi FWD	110	06/07 11/13
X-TRAIL (T31)	2.0 FWD	104	03/07 11/13
X-TRAIL (T31)	2.0 FWD	103	06/08 11/13
X-TRAIL (T31)	2.0 FWD	101	09/12 02/14
X-TRAIL (T31)	2.5	125	06/07 07/14
X-TRAIL (T31)	2.5	125	09/07 07/14
X-TRAIL (T31)	2.5	124	09/07 11/13
X-TRAIL (T31)	2.5	132	09/07 07/14
X-TRAIL (T31)	2.5 4x4	124	06/07 11/13

NISSAN (DFAC)

Model	Typ	kW	Rok
QASHQAI (J10)	1.6	89	01/11 12/15
QASHQAI (J10)	1.6	81	11/08 12/10
QASHQAI (J10)	2.0	106	01/11 12/15
QASHQAI (J10)	2.0	102	03/08 09/15
QASHQAI (J10)	2.0 4x4	102	03/08 09/15

Numery OE

Pasużace kody OE

NISSAN	AY040NS132
NISSAN	AY040NS152
NISSAN	D1060ET01A
NISSAN	D1060JD00A
NISSAN	D1060JD00J
NISSAN	D1060JE00A