

Klocki hamulcowe P 61 083



Dane techniczne klocków

Oś
Przód

WVA
24538, 24539

Szerokość
155,3 mm

Grubość
18,8 - 18,3 mm

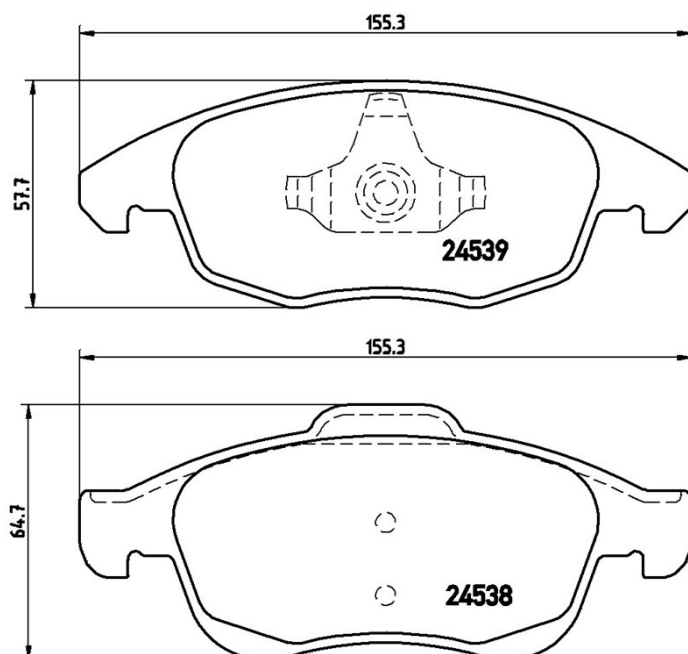
Wysokość
57,7 - 64,7 mm

Układ hamulcowy
Teves

Akcesoria

Wskaźnik zużycia
Bez

Referencja EAN
8020584061619



Pasujące pojazdy

CITROËN

Model	Typ	kW	Rok
BERLINGO (B9)	1.2 PureTech 110	81	02/16 -
BERLINGO (B9)	1.6	66	04/08 -
BERLINGO (B9)	1.6	80	04/08 -
BERLINGO (B9)	1.6	81	11/08 -
BERLINGO (B9)	1.6 BlueHDi 100	73	12/14 -
BERLINGO (B9)	1.6 BlueHDi 120	88	12/14 -
BERLINGO (B9)	1.6 HDi 110	80	04/08 -
BERLINGO (B9)	1.6 HDi 110	82	07/10 -

BERLINGO (B9)	1.6 HDi 115	84	07/10 -
BERLINGO (B9)	1.6 HDi 115 4x4	84	02/12 -
BERLINGO (B9)	1.6 HDi 75 / BlueHDi 75	55	04/08 -
BERLINGO (B9)	1.6 HDi 75 16V	55	04/08 -
BERLINGO (B9)	1.6 HDi 90	66	04/08 -
BERLINGO (B9)	1.6 HDi 90	68	07/10 -
BERLINGO (B9)	1.6 HDi 90 4x4	66	02/12 12/14
BERLINGO (B9)	1.6 VTi 120	88	11/09 -
BERLINGO (B9)	1.6 VTi 95	72	07/10 -
BERLINGO Box (B9)	1.6	66	04/08 -
BERLINGO Box (B9)	1.6	80	04/08 -
BERLINGO Box (B9)	1.6 BlueHDi 100	73	12/14 -
BERLINGO Box (B9)	1.6 BlueHDi 100 4x4	73	12/14 -
BERLINGO Box (B9)	1.6 BlueHDi 120	88	12/14 -
BERLINGO Box (B9)	1.6 HDi / BlueHDi 75	55	07/10 -
BERLINGO Box (B9)	1.6 HDi 110	80	04/08 -
BERLINGO Box (B9)	1.6 HDi 110	82	07/10 -
BERLINGO Box (B9)	1.6 HDi 115	84	07/10 -
BERLINGO Box (B9)	1.6 HDi 115 4x4	84	02/12 -
BERLINGO Box (B9)	1.6 HDi 75	55	04/08 -
BERLINGO Box (B9)	1.6 HDi 75 4x4	55	02/12 -
BERLINGO Box (B9)	1.6 HDi 90	66	07/10 -
BERLINGO Box (B9)	1.6 HDi 90	68	07/10 -
BERLINGO Box (B9)	1.6 HDi 90 16V	66	04/08 -
BERLINGO Box (B9)	1.6 HDi 90 4x4	66	02/12 -
BERLINGO Box (B9)	1.6 VTi 120	88	11/09 -
BERLINGO Box (B9)	1.6 VTi 95	72	07/10 -
BERLINGO Box (B9)	Electric	35	01/13 -
BERLINGO Box (B9)	Electric	49	03/14 -
BERLINGO Box (B9)	Electric	42	09/11 -
BERLINGO Platform/Chassis (B9)	1.6 BlueHDi 100	73	12/14 -
BERLINGO Platform/Chassis (B9)	1.6 HDi 90	66	07/10 -
BERLINGO Platform/Chassis (B9)	1.6 HDi 90 16V	66	04/08 -
BERLINGO Platform/Chassis (B9)	1.6 HDi 92	68	07/10 -

C4 Grand Picasso I (UA_)	1.6 HDi	80	10/06 -
C4 Grand Picasso I (UA_)	1.6 HDi 110	82	09/10 -
C4 Grand Picasso I (UA_)	1.6 VTi 120	88	07/08 -
C4 Grand Picasso I (UA_)	1.8 i 16V	92	10/06 -
C4 II (B7)	1.2 THP 130	96	04/14 -
C4 II (B7)	1.6 BlueHDi 115	85	08/14 -
C4 II (B7)	1.6 BlueHDi 120	88	02/15 -
C4 II (B7)	1.6 HDi 110	82	11/09 -
C4 II (B7)	1.6 HDi 115	84	07/12 -
C4 II (B7)	1.6 HDi 90	68	11/09 -
C4 II (B7)	1.6 VTi 120	88	11/09 -
C4 II (B7)	1.6 VTi 120 LPG	88	09/11 -
C4 Picasso I MPV (UD_)	1.6 HDi	80	02/07 08/13
C4 Picasso I MPV (UD_)	1.6 HDi 110	82	09/10 08/13
C4 Picasso I MPV (UD_)	1.6 VTi 120	88	07/08 08/13
C4 Picasso I MPV (UD_)	1.8 Bifuel	92	01/09 10/12
C4 Picasso I MPV (UD_)	1.8 i 16V	92	02/07 12/11
C4 Saloon	1.6	85	01/13 -
C4 Saloon	1.6	88	01/13 -
C4 Saloon	1.6 HDi	84	08/13 -
DS4	1.2 THP 130	96	07/14 07/15
DS4	1.6 BlueHDi 115	85	07/14 07/15
DS4	1.6 BlueHDi 120	88	07/14 07/15
DS4	1.6 HDi 110	82	04/11 07/15
DS4	1.6 HDi 115	84	08/12 07/15
DS4	1.6 HDi 90	68	05/11 07/15
DS4	1.6 VTi 120	88	04/11 07/15
DS5	1.6 BlueHDi 120	88	07/14 07/15
DS5	1.6 HDi	85	11/13 07/15
DS5	1.6 HDi 115	84	06/12 07/15
DS			
Model	Typ	kW	Rok
DS 4 / DS 4 CROSSBACK	1.2 THP 130	96	07/15 -
DS 4 / DS 4 CROSSBACK	1.6 BlueHDi 120	88	07/15 -

DS 4 / DS 4 CROSSBACK 2.0 BlueHDi 150 110 07/15 -

PEUGEOT

Model	Typ	kW	Rok
5008 (0U_, 0E_)	1.6 16V	88	09/09 -
5008 (0U_, 0E_)	1.6 HDi	84	03/13 -
5008 (0U_, 0E_)	1.6 HDi	82	08/10 -
5008 (0U_, 0E_)	1.6 HDi	80	09/09 -
PARTNER Box / RANCH Box	1.6	66	04/08 -
PARTNER Box / RANCH Box	1.6	80	04/08 -
PARTNER Box / RANCH Box	1.6	88	04/10 -
PARTNER Box / RANCH Box	1.6	72	11/10 -
PARTNER Box / RANCH Box	1.6 BlueHDi 100	73	04/15 -
PARTNER Box / RANCH Box	1.6 BlueHDi 120	88	04/15 -
PARTNER Box / RANCH Box	1.6 HDi	84	03/13 -
PARTNER Box / RANCH Box	1.6 HDi	55	04/08 -
PARTNER Box / RANCH Box	1.6 HDi	80	04/08 -
PARTNER Box / RANCH Box	1.6 HDi	67	09/09 -
PARTNER Box / RANCH Box	1.6 HDi	66	12/11 -
PARTNER Box / RANCH Box	1.6 HDi / BlueHDi 75	55	07/11 -
PARTNER Box / RANCH Box	1.6 HDi 16V	66	04/08 -
PARTNER Box / RANCH Box	1.6 HDi 16V 4x4	66	04/12 -
PARTNER Box / RANCH Box	1.6 HDi 90	68	04/10 -
PARTNER Box / RANCH Box	Électrique	49	06/13 -
PARTNER Platform/Chassis / RANCH Platform/Chassis	1.6 HDi	55	01/09 -
PARTNER Platform/Chassis / RANCH Platform/Chassis	1.6 HDi	66	03/13 -
PARTNER Platform/Chassis / RANCH Platform/Chassis	1.6 HDi 16V	66	01/09 -
PARTNER Tepee / RANCH Tepee	1.2 THP	81	02/16 -
PARTNER Tepee / RANCH Tepee	1.6 BlueHDi 100	73	12/14 -
PARTNER Tepee / RANCH Tepee	1.6 BlueHDi 100 4x4	73	04/15 -
PARTNER Tepee / RANCH Tepee	1.6 BlueHDi 120	88	12/14 -
PARTNER Tepee / RANCH Tepee	1.6 HDi	66	03/13 -
PARTNER Tepee / RANCH Tepee	1.6 HDi	84	03/13 -
PARTNER Tepee / RANCH Tepee	1.6 HDi	55	04/08 -
PARTNER Tepee / RANCH Tepee	1.6 HDi	80	04/08 -

PARTNER Tepee / RANCH Tepee	1.6 HDi	82	08/10 -
PARTNER Tepee / RANCH Tepee	1.6 HDi / BlueHDi 75	55	01/15 -
PARTNER Tepee / RANCH Tepee	1.6 HDi 16V	68	04/10 -
PARTNER Tepee / RANCH Tepee	1.6 HDi 16V	66	04/08 -
PARTNER Tepee / RANCH Tepee	1.6 HDi 90	68	04/10 -
PARTNER Tepee / RANCH Tepee	1.6 VTi	81	09/08 -
PARTNER Tepee / RANCH Tepee	1.6 VTi	66	04/08 -
PARTNER Tepee / RANCH Tepee	1.6 VTi	80	04/08 -
PARTNER Tepee / RANCH Tepee	1.6 VTi	72	08/10 -
PARTNER Tepee / RANCH Tepee	1.6 VTi	81	09/08 -
PARTNER Tepee / RANCH Tepee	1.6 VTi	88	09/09 04/16

Numery OE

Pasužace kody OE

CITROËN	1617272980
CITROËN	425361
CITROËN	425412
CITROËN	425413
CITROËN	425425
CITROËN	425465
CITROËN	4254C0
CITROËN	E172295
DS	425425
DS	4254C0
DS	E172295
PEUGEOT	425361
PEUGEOT	425412
PEUGEOT	425413
PEUGEOT	425425
PEUGEOT	425465
PEUGEOT	4254C0