



BRAKE PAD

P 83 004

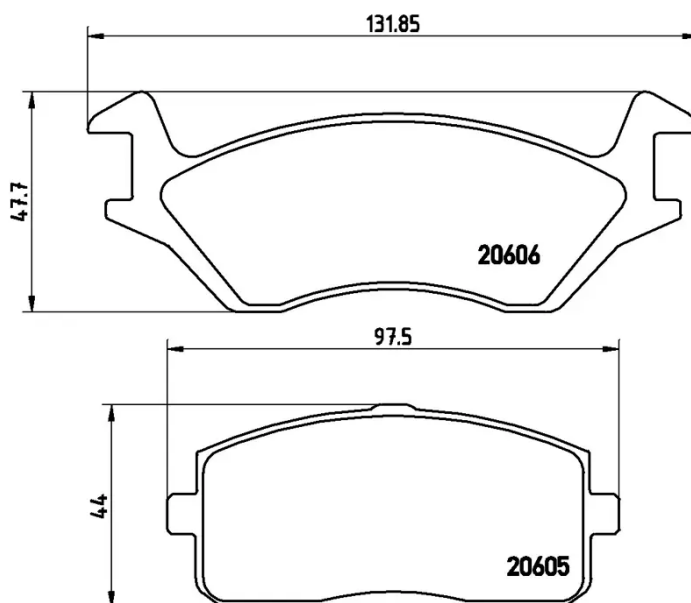
The P 83 004 brake pad is synonymous with reliability

The Brembo brake pad guarantees ultimate safety when braking thanks to the use of more than 100 different compounds, designed according to the type of vehicle and use. Stopping distances reduced to a minimum, maximum driving comfort and silent operation are the most important features of Brembo materials. Brembo brake pads are supplied together with an extensive range of accessories and assembly kits for professional-standard installation.

- ✓ OE-equivalent
- ✓ Brembo quality
- ✓ ECE-R90 certificate
- ✓ Safety
- ✓ Performance
- ✓ Comfort

Technical specifications

EAN code	Axle	Thickness
8020584057391	Front	14 mm
Width	Height	Braking system
98 mm	44 mm	Akebono
Wear indicator	WVA number	Accessories
Without	20605,20606	With anti-squeal shim



COMPATIBLE VEHICLES

COMPATIBLE OE PART NUMBERS

AY040TY027 NISSAN

AY040TY033 NISSAN

0446510010 TOYOTA

0446510011 TOYOTA

0446510030 TOYOTA

0446510060 TOYOTA

0446510090 TOYOTA

0446510100 TOYOTA

0446510180 TOYOTA

0446510191 TOYOTA

0446512280 TOYOTA

0449110030 TOYOTA

0449110040 TOYOTA

0449110041 TOYOTA

0449110042 TOYOTA

0449110043 TOYOTA

0449110071 TOYOTA

0449110100 TOYOTA

0449110101 TOYOTA

0449110170 TOYOTA

0449111040 TOYOTA

0449112032 TOYOTA

0449112101 TOYOTA

0449112110 TOYOTA

0449112112 TOYOTA

0449112113 TOYOTA

0449112220 TOYOTA

0449112221 TOYOTA

0449112222 TOYOTA

0449116010 TOYOTA

0449116020 TOYOTA

0449116021 TOYOTA

0449116022 TOYOTA

0449116023 TOYOTA

0449116024 TOYOTA