

Klocki hamulcowe P 83 107



Dane techniczne klocków

Oś
Przód

WVA
24386, 24394, 24395

Szerokość
143,7 mm

Grubość
17,9 mm

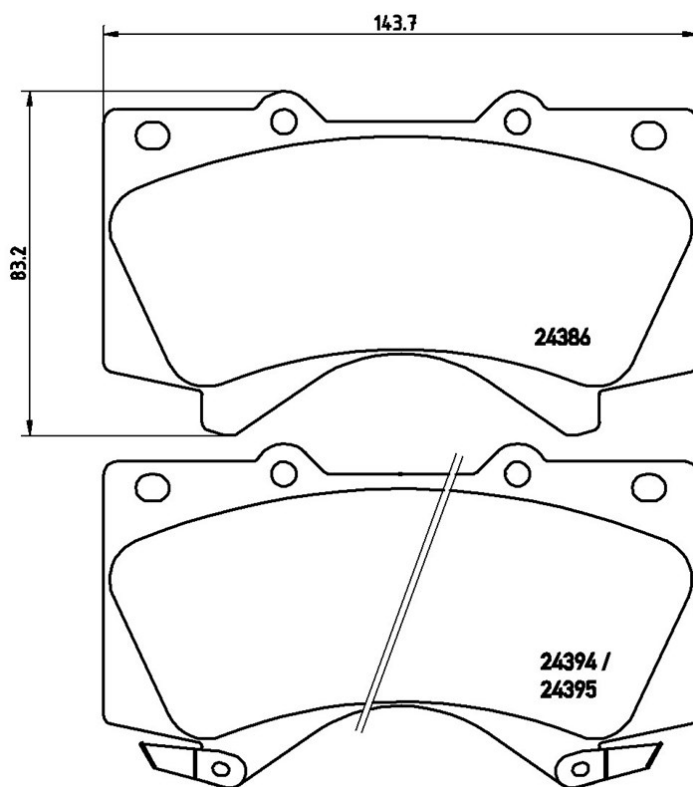
Wysokość
83,2 mm

Układ hamulcowy
Advics

Akcesoria

Wskaźnik zużycia
Akustycznym

Referencja EAN
8020584090930



Pasujące pojazdy

LEXUS			
Model	Typ	kW	Rok
LX (_J2_)	450d (VDJ201_)	200	09/15 -
LX (_J2_)	570	285	08/07 -
LX (_J2_)	570 (URJ201_)	286	09/09 -
LX (_J2_)	570 (URJ201_)	277	09/15 -

TOYOTA			
Model	Typ	kW	Rok

LAND CRUISER 200 (_J2_)	4.0 (GRJ200_)	176	01/10 -
LAND CRUISER 200 (_J2_)	4.5 D V8 (VDJ200)	210	01/08 -
LAND CRUISER 200 (_J2_)	4.5 D4-D	171	01/13 -
LAND CRUISER 200 (_J2_)	4.5 D-4D (VDJ200)	195	01/08 -
LAND CRUISER 200 (_J2_)	4.5 D4-D (VDJ200)	173	08/07 -
LAND CRUISER 200 (_J2_)	4.5 D4-D (VDJ200)	200	01/12 -
LAND CRUISER 200 (_J2_)	4.5 D4-D (VDJ200_)	183	08/15 -
LAND CRUISER 200 (_J2_)	4.6 V8 (_URJ202W_)	234	01/12 -
LAND CRUISER 200 (_J2_)	4.6 V8 (URJ202)	227	09/10 -
LAND CRUISER 200 (_J2_)	4.7 V8 (UZJ200)	212	01/08 -
LAND CRUISER 200 (_J2_)	4.7 V8 (UZJ200)	202	08/07 -
LAND CRUISER 200 (_J2_)	5.7 V8 (URJ200)	280	08/08 -
LAND CRUISER 200 (_J2_)	5.7 V8 (URJ200_)	266	08/15 -
LAND CRUISER 200 (_J2_)	5.7 V8 (URJ200_)	268	09/11 -
LAND CRUISER 200 (_J2_)	5.7 V8 (URJ200_)	284	08/07 -
LAND CRUISER Pick-up (_J7_)	4.0 4x4	170	03/07 -
SEQUOIA (_K3_, _K4_)	4.7 (UCK35_)	175	09/00 10/07
SEQUOIA (_K3_, _K4_)	4.7 4WD (UCK45_)	175	09/00 10/07
SEQUOIA (_K3_, _K4_)	4.7 4WD (UCK45_)	204	09/00 10/07
SEQUOIA (_K6_)	4.6 (UPK60)	231	01/10 07/12
SEQUOIA (_K6_)	4.6 4WD (UPK65_)	231	09/09 07/12
SEQUOIA (_K6_)	4.7 (UCK60_)	206	11/07 -
SEQUOIA (_K6_)	4.7 4WD (UCK65_)	206	11/07 -
SEQUOIA (_K6_)	5.7 (USK60_)	284	11/07 -
SEQUOIA (_K6_)	5.7 (USK60_)	280	11/07 -
SEQUOIA (_K6_)	5.7 4WD (USK65_)	280	11/07 -
SEQUOIA (_K6_)	5.7 4WD (USK65_)	284	11/07 -
SEQUOIA (_K6_)	5.7 FLEX (USK60_)	284	09/08 -
SEQUOIA (_K6_)	5.7 FLEX 4WD (USK65_)	284	09/08 -
SEQUOIA (_K6_)	5.7 Flexfuel 4WD (USK65)	280	11/07 -
TUNDRA Pickup (_K5_, _K6_)	4.0 (GSK50_, GSK51_)	201	04/09 -
TUNDRA Pickup (_K5_, _K6_)	4.0 (GSK50_, GSK51_)	176	11/06 12/11
TUNDRA Pickup (_K5_, _K6_)	4.0 4WD (GSK50_, GSK51_)	201	04/09 -
TUNDRA Pickup (_K5_, _K6_)	4.0 4WD (GSK50_, GSK51_)	176	11/06 12/11

TUNDRA Pickup (_K5_, _K6_)	4.6 (UPK50_, UPK51_, UPK52_, UPK55_, UPK56_, UPK57_)	231	04/09 -
TUNDRA Pickup (_K5_, _K6_)	4.6 4WD (UPK50_, UPK51_, UPK52_, UPK55_, UPK56_, UPK57_)	231	09/09 -
TUNDRA Pickup (_K5_, _K6_)	4.7 (UCK50_, UCK51_, UCK52_, UCK55_, UCK56_, UCK57_)	206	11/06 03/09
TUNDRA Pickup (_K5_, _K6_)	4.7 4WD (UCK50_, UCK51_, UCK52_, UCK55_, UCK56_, UCK57_)	206	11/06 03/09
TUNDRA Pickup (_K5_, _K6_)	5.7 (USK50_, USK51_, USK52_, USK56_, USK57_)	284	01/07 -
TUNDRA Pickup (_K5_, _K6_)	5.7 4WD (USK50_, USK51_, USK52_, USK56_, USK57_)	284	01/07 -
TUNDRA Pickup (_K5_, _K6_)	5.7 Flexfuel (USK55_, USK56_, USK57_)	284	08/08 -
TUNDRA Pickup (_K5_, _K6_)	5.7 Flexfuel 4WD (USK55_, USK56_, USK57_)	280	04/09 07/13
TUNDRA Pickup (_K5_, _K6_)	5.7 Flexfuel 4WD (USK55_, USK56_, USK57_)	284	08/08 -

TOYOTA (FAW)

Model	Typ	kW	Rok
LAND CRUISER (_J20_)	4.6 All-wheel Drive (URJ202)	228	01/12 -
LAND CRUISER 200 (_J20_)	4.0 All-wheel Drive (GRJ200)	179	12/07 12/12
LAND CRUISER 200 (_J20_)	4.7 (UZJ200)	202	12/07 12/12

Numery OE

Pasujące kody OE

TOYOTA	044650C020
TOYOTA	0446560280
TOYOTA	0446560300
TOYOTA	0446560330
TOYOTA	04465YZZEJ