



# BRAKE PAD

## P 85 034

The P 85 034 brake pad is synonymous with reliability

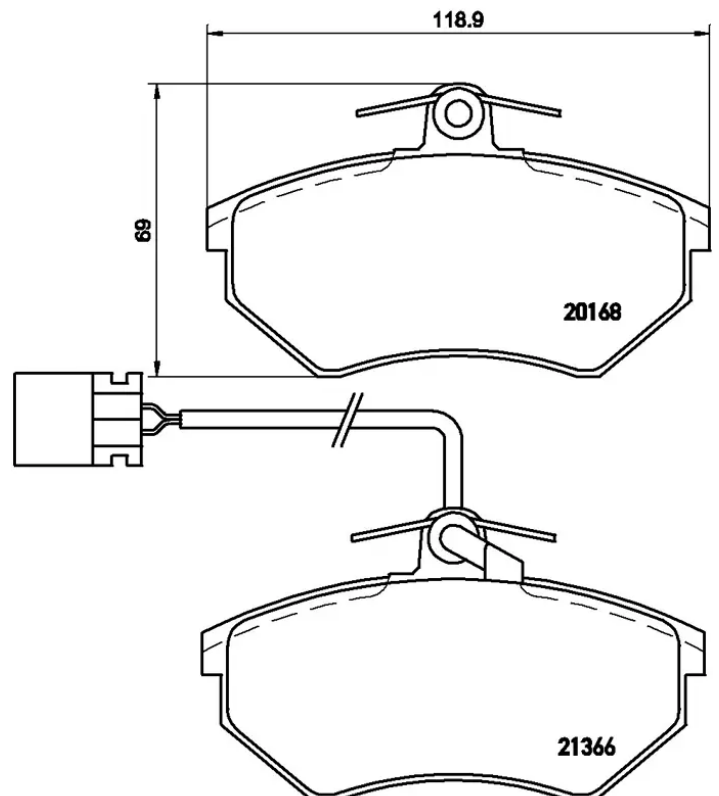
The Brembo brake pad guarantees ultimate safety when braking thanks to the use of more than 100 different compounds, designed according to the type of vehicle and use. Stopping distances reduced to a minimum, maximum driving comfort and silent operation are the most important features of Brembo materials. Brembo brake pads are supplied together with an extensive range of accessories and assembly kits for professional-standard installation.

- ✓ OE-equivalent
- ✓ Brembo quality
- ✓ ECE-R90 certificate
- ✓ Safety
- ✓ Performance
- ✓ Comfort
- ✓ With accessories



### Technical specifications

EAN code <b>8020584058374</b>	Axle <b>Front</b>	Thickness <b>20 mm</b>
Width <b>119 mm</b>	Height <b>69 mm</b>	Braking system <b>Lucas</b>
Wear indicator <b>Electric</b>	WVA number <b>20168,21366</b>	Accessories <b>With accessories With anti-squeal shim With brake caliper bolts</b>



## COMPATIBLE VEHICLES

## COMPATIBLE OE PART NUMBERS

357698151C	AUDI
------------	------

357698151F	AUDI
------------	------

357698151C	SEAT
------------	------

357698151F	SEAT
------------	------

357698151C	SKODA
------------	-------

357698151F	SKODA
------------	-------

357698151C	VW
------------	----

357698151F	VW
------------	----