



SPORT | TY3 BRAKE DISC

59.E116.06

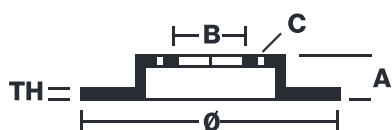
The 59.E116.06 brake disc is synonymous with reliability

Type-3 slotting used to distinguish the Brembo SPORT | TY3 brake disc is widely used in professional motorsports. It therefore offers superior initial response with excellent release characteristics, improving braking performance while giving the vehicle an aggressive appearance. The Brembo logo on the braking surface adds an exclusive and unique touch to the vehicle. The SPORT | TY3 brake discs are plug-and-play since they replace OE discs directly.

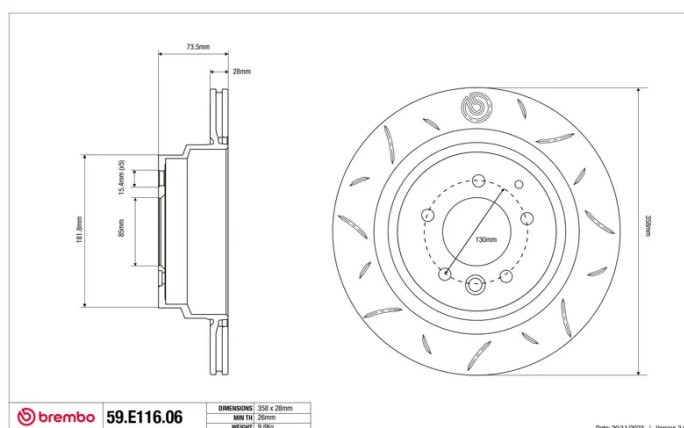


- ✓ OE-equivalent
- ✓ Brembo quality
- ✓ ECE-R90 certificate
- ✓ Safety
- ✓ Performance
- ✓ Comfort
- ✓ Sports driving
- ✓ Sporty look

Technical specifications



Diameter	Thickness (TH)	Height (A)
358 mm	28 mm	74 mm
Number of holes (C)	Brake disc type	Centering
5	Solid	85 mm
Min. thickness	Tightening torque	Axle
26 mm	160 Nm	Rear
Units per box	EAN code	
1	8020584606797	



	59.E116.06	DIMENSIONI: 258 x 28mm
		MIN TH: 26mm
		WEIGHT: 3.9kg

Date: 2011/2023 | Version: 3.00

