



# BRAKE DISC

## 08.2938.24

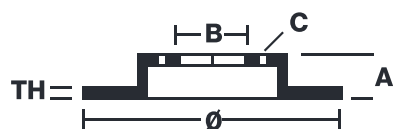
The 08.2938.24 brake disc is synonymous with reliability

The Brembo brake disc is fully interchangeable with an Original Equipment brake disc. The control of the entire production cycle allows Brembo to offer brake discs with outstanding performance levels, reliability, durability and comfort in all conditions of use. All Brembo brake discs are accompanied by the ECE-R90 homologation.

- ✓ OE-equivalent
- ✓ Brembo quality
- ✓ ECE-R90 certificate
- ✓ Safety
- ✓ Fastening screws



### Technical specifications



EAN code  
**8020584012253**

Axle  
**Front**

Diameter  $\varnothing$   
**266 mm**

Thickness (TH)  
**10 mm**

Height (A)  
**27 mm**

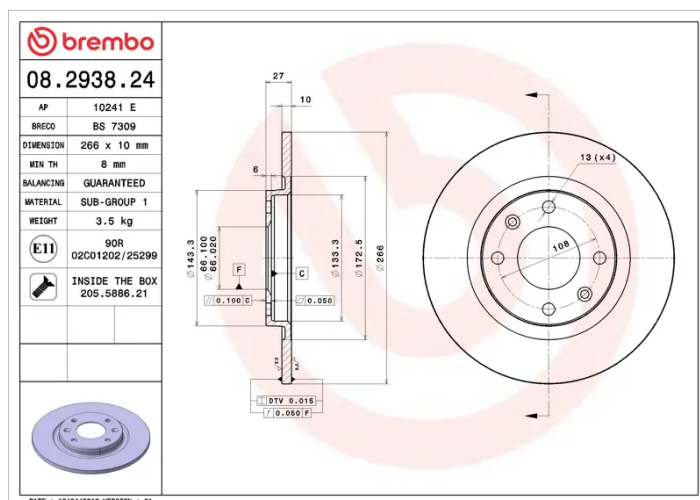
Number of holes (C)  
**4**

Brake disc type  
**Solid**

Centering (B)  
**66 mm**

Min. thickness  
**8 mm**

Tightening torque  
**85 Nm**



COMPATIBLE VEHICLES

## COMPATIBLE OE PART NUMBERS

1618859980	PEUGEOT
------------	---------

---

424688	PEUGEOT
--------	---------

---

4246A9	PEUGEOT
--------	---------

---

4249C4	PEUGEOT
--------	---------

---

E169007	PEUGEOT
---------	---------

---