



BRAKE DISC MAX

08.5164.76

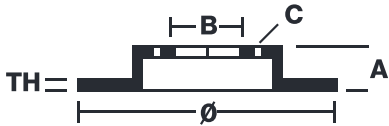
The 08.5164.76 Max brake disc is synonymous with reliability

The Brembo Max brake disc features grooves on the braking surface. The special shape of the grooves generates greater fading resistance and constant renewal of friction material, quickly restoring optimum braking conditions. The UV paint completes the sporty look.

- ✓ Brembo quality
- ✓ ECE-R90 certificate
- ✓ Performance
- ✓ Sports driving
- ✓ Sporty look
- ✓ Anti-corrosion



Technical specifications



EAN code
8020584012123

Axle
Front

Diameter \varnothing
240 mm

Thickness (TH)
10 mm

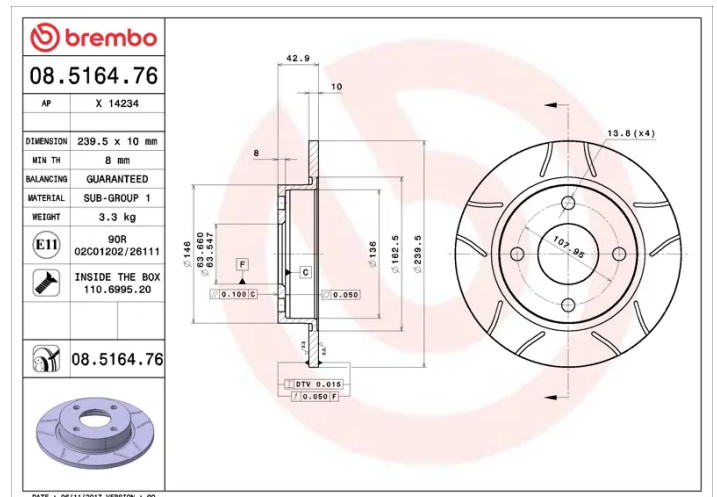
Height (A)
43 mm

Number of holes (C)
4

Brake disc type
Solid

Centering (B)
64 mm

Min. thickness
8 mm



COMPATIBLE OE PART NUMBERS

| | |
|---------|------|
| 1107767 | FORD |
|---------|------|

| | |
|---------|------|
| 5022652 | FORD |
|---------|------|

| | |
|---------|------|
| 5022653 | FORD |
|---------|------|

| | |
|---------|------|
| 6183975 | FORD |
|---------|------|

| | |
|---------|------|
| 6183976 | FORD |
|---------|------|

| | |
|---------|------|
| 6191062 | FORD |
|---------|------|

| | |
|---------|------|
| 6191063 | FORD |
|---------|------|

| | |
|------------|------|
| 89FX1125AE | FORD |
|------------|------|

| | |
|-------------|------|
| 89FX1125S1A | FORD |
|-------------|------|
