



# BRAKE DISC PAINTED

## 08.9502.11

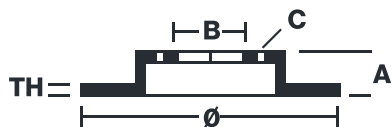
The 08.9502.11 painted brake disc is synonymous with reliability

The Brembo brake disc with special UV paint treatment guarantees superior corrosion resistance for the product, thanks to the protective coating on the outer edges and on the disc hub. The UV paint not only gives the disc a clean, shiny appearance but is also beneficial for the environment as the water-based UV paint treatment does not require the use of chemical solvents and is a low energy consumption process.

- ✓ OE-equivalent
- ✓ Brembo quality
- ✓ ECE-R90 certificate
- ✓ Safety
- ✓ Anti-corrosion
- ✓ Fastening screws



### Technical specifications



EAN code  
**8020584024256**

Axle  
**Rear**

Diameter Ø  
**253 mm**

Thickness (TH)  
**10 mm**

Height (A)  
**51 mm**

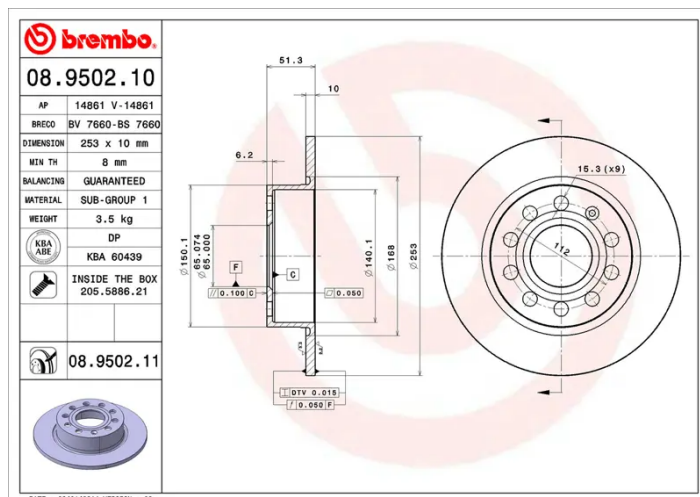
Number of holes (C)  
**5**

Brake disc type  
**Solid**

Centering (B)  
**65 mm**

Min. thickness  
**8 mm**

Tightening torque  
**120 Nm**



COMPATIBLE VEHICLES

## COMPATIBLE OE PART NUMBERS

1K0615601AB	AUDI
-------------	------

1K0615601K	AUDI
------------	------

5Q0615601F	AUDI
------------	------

1K0615601AB	SEAT
-------------	------

1K0615601K	SEAT
------------	------

5Q0615601F	SEAT
------------	------

1K0615601AB	SKODA
-------------	-------

1K0615601K	SKODA
------------	-------

5Q0615601F	SKODA
------------	-------

5QD615601	SKODA (SVW)
-----------	-------------

1K0615601AB	VW
-------------	----

1K0615601K	VW
------------	----

5C0615601	VW
-----------	----

5C0615601A	VW
------------	----

5Q0615601F	VW
------------	----

5QD615601	VW (SVW)
-----------	----------