



BRAKE DISC

09.5867.10

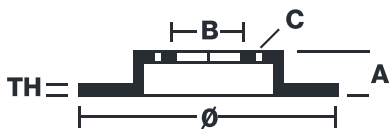
The 09.5867.10 brake disc is synonymous with reliability

The Brembo brake disc is fully interchangeable with an Original Equipment brake disc. The control of the entire production cycle allows Brembo to offer brake discs with outstanding performance levels, reliability, durability and comfort in all conditions of use. All Brembo brake discs are accompanied by the ECE-R90 homologation.

- ✓ OE-equivalent
- ✓ Brembo quality
- ✓ ECE-R90 certificate
- ✓ Safety



Technical specifications



EAN code
8020584586716

Axle
Front

Diameter Ø
212 mm

Thickness (TH)
18 mm

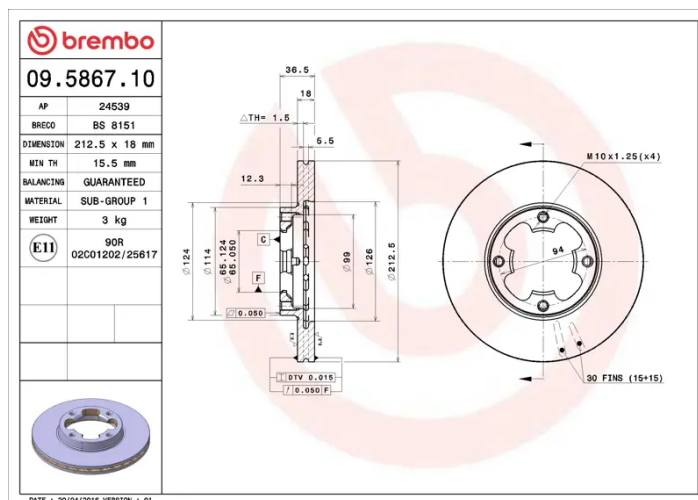
Height (A)
37 mm

Number of holes (C)
4

Brake disc type
Ventilated

Centering (B)
65 mm

Min. thickness
15,5 mm



COMPATIBLE VEHICLES

COMPATIBLE OE PART NUMBERS

725431150 SUBARU

725431300 SUBARU

725431301 SUBARU

725431310 SUBARU

725431311 SUBARU

725431312 SUBARU
