



BRAKE DISC

09.8303.10

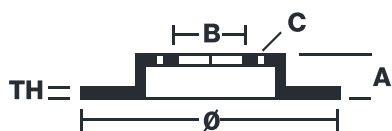
The **09.8303.10** brake disc is synonymous with reliability

The Brembo brake disc is fully interchangeable with an Original Equipment brake disc. The control of the entire production cycle allows Brembo to offer brake discs with outstanding performance levels, reliability, durability and comfort in all conditions of use. All Brembo brake discs are accompanied by the ECE-R90 homologation.

- ✓ OE-equivalent
- ✓ Brembo quality
- ✓ ECE-R90 certificate
- ✓ Safety
- ✓ Fastening screws



Technical specifications



EAN code
8020584830314

Axle
Front

Diameter Ø
283 mm

Thickness (TH)
26 mm

Height (A)
48 mm

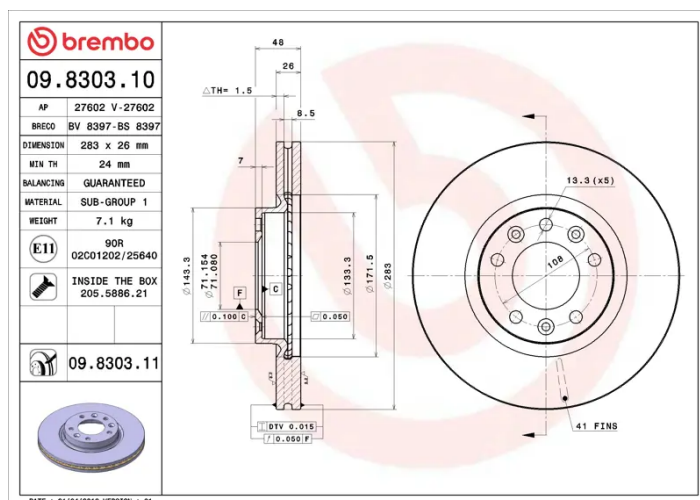
Number of holes (C)
5

Brake disc type
Ventilated

Centering (B)
71 mm

Min. thickness
24 mm

Tightening torque
90 Nm



COMPATIBLE VEHICLES

COMPATIBLE OE PART NUMBERS

1606400980	CITROËN
------------	---------

1669577380	CITROËN
------------	---------

4249L3	CITROËN
--------	---------

E169019	CITROËN
---------	---------

1669577380	OPEL
------------	------

1606400980	PEUGEOT
------------	---------

1669577380	PEUGEOT
------------	---------

4246P7	PEUGEOT
--------	---------

4246V4	PEUGEOT
--------	---------

4249L3	PEUGEOT
--------	---------

E169019	PEUGEOT
---------	---------

SU001A9198	TOYOTA
------------	--------

SU001B3532	TOYOTA
------------	--------

1669577380	VAUXHALL
------------	----------