



BRAKE PAD PRIME CERAMIC P10027N

The P10027N NAO brake pad is synonymous with reliability

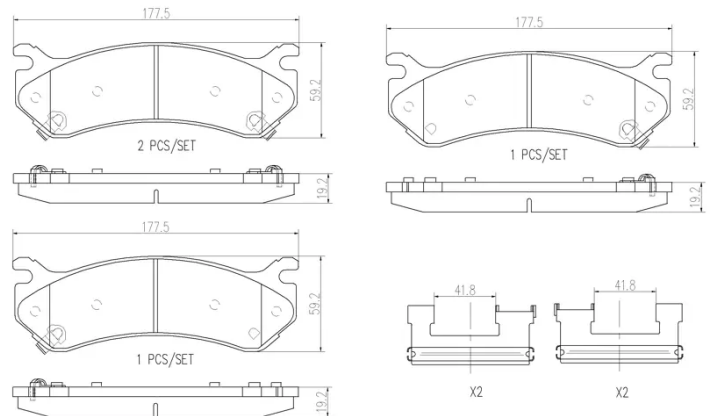
Brembo NAO brake pads stand out for their ultimate braking comfort, reduced friction wear and low dust mission, which makes for cleaner rims and reduced maintenance requirements. The advanced friction material in keeping with the strictest environmental standards is the main distinguishing feature of NAO compounds.

- ✓ OE-equivalent
- ✓ Brembo quality
- ✓ Safety
- ✓ Comfort
- ✓ Durability
- ✓ Dust reduction
- ✓ With accessories



Technical specifications

EAN code 8020584096185	Axle Front and rear	Thickness 19 mm
Width 178 mm	Height 59 mm	
Wear indicator Acoustic	Accessories With anti-squeal shim	



COMPATIBLE VEHICLES

COMPATIBLE OE PART NUMBERS

18048101	CADILLAC
15886462	CHEVROLET
18026217	CHEVROLET
18041762	CHEVROLET
18048101	CHEVROLET
19210705	CHEVROLET
19210707	CHEVROLET
25976453	CHEVROLET
88909671	CHEVROLET
15886462	GMC
18041762	GMC
18048101	GMC
19210707	GMC
25976453	GMC
15886462	HUMMER
18041762	HUMMER
25976453	HUMMER