



BRAKE PAD PRIME CERAMIC P30027N

The P30027N NAO brake pad is synonymous with reliability

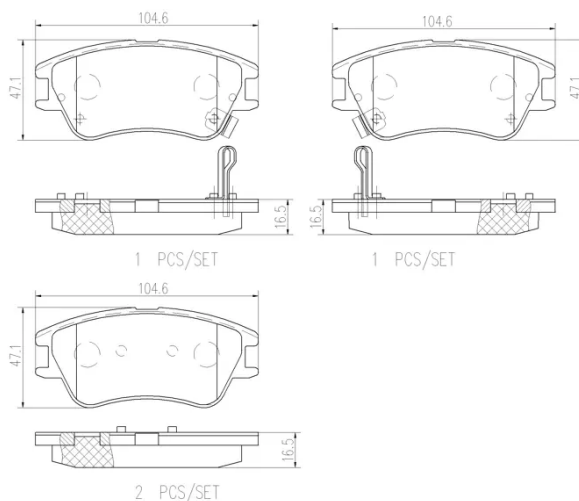
Brembo NAO brake pads stand out for their ultimate braking comfort, reduced friction wear and low dust mission, which makes for cleaner rims and reduced maintenance requirements. The advanced friction material in keeping with the strictest environmental standards is the main distinguishing feature of NAO compounds.

- ✓ OE-equivalent
- ✓ Brembo quality
- ✓ Safety
- ✓ Comfort
- ✓ Durability
- ✓ Dust reduction
- ✓ With accessories



Technical specifications

EAN code 8020584098035	Axle Front	Thickness 17 mm
Width 105 mm	Height 47 mm	Braking system Mando
Wear indicator Acoustic	WVA number 24277,24397,24398	Accessories With anti-squeal shim



COMPATIBLE VEHICLES

COMPATIBLE OE PART NUMBERS

AC698281D

AC

5810102A10

HYUNDAI

5810105A10

HYUNDAI

5810105A30

HYUNDAI