



# BRAKE PAD

## P 56 100

The P 56 100 brake pad is synonymous with reliability

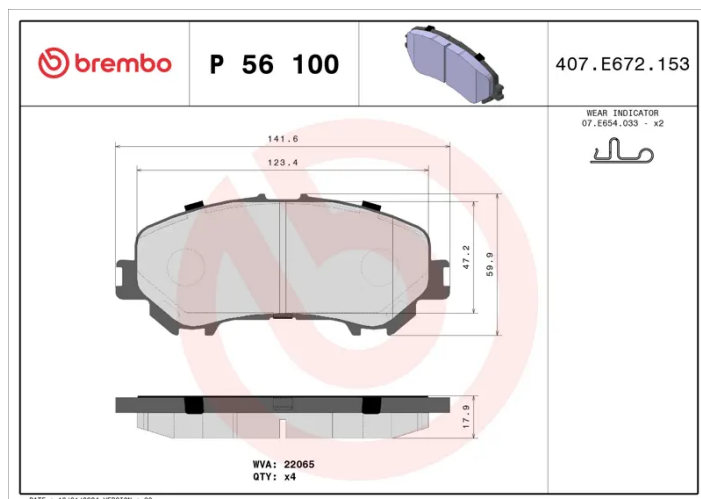
The Brembo brake pad guarantees ultimate safety when braking thanks to the use of more than 100 different compounds, designed according to the type of vehicle and use. Stopping distances reduced to a minimum, maximum driving comfort and silent operation are the most important features of Brembo materials. Brembo brake pads are supplied together with an extensive range of accessories and assembly kits for professional-standard installation.



- ✓ OE-equivalent
- ✓ Brembo quality
- ✓ ECE-R90 certificate
- ✓ Safety
- ✓ Performance
- ✓ Comfort
- ✓ With accessories

### Technical specifications

EAN code <b>8020584112670</b>	Axle <b>Front</b>	Thickness <b>18 mm</b>
Width <b>142 mm</b>	Height <b>60 mm</b>	Braking system <b>Akebono</b>
Wear indicator <b>Acoustic</b>	WVA number <b>22065</b>	Accessories <b>With accessories</b> <b>With anti-squeal shim</b> <b>With piston clip</b>



**COMPATIBLE VEHICLES**

## COMPATIBLE OE PART NUMBERS

D10604BT0C NISSAN

---

D10604EA0A NISSAN

---

D10604EA0ARV NISSAN

---

D10604EA0AVA NISSAN

---

D10604BA0A NISSAN (DFAC)

---

410277562R RENAULT

---

410604EA0A RENAULT

---

410608851R RENAULT (DFAC)

---