



BRAKE DISC

09.A563.40

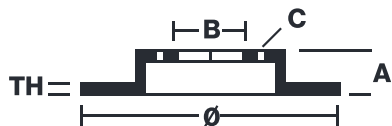
The 09.A563.40 brake disc is synonymous with reliability

The Brembo brake disc is fully interchangeable with an Original Equipment brake disc. The control of the entire production cycle allows Brembo to offer brake discs with outstanding performance levels, reliability, durability and comfort in all conditions of use. All Brembo brake discs are accompanied by the ECE-R90 homologation.

- ✓ OE-equivalent
- ✓ Brembo quality
- ✓ ECE-R90 certificate
- ✓ Safety
- ✓ High carbon
- ✓ PVT ventilation



Technical specifications



EAN code
8020584030554

Axle
Front

Diameter Ø
377 mm

Thickness (TH)
45 mm

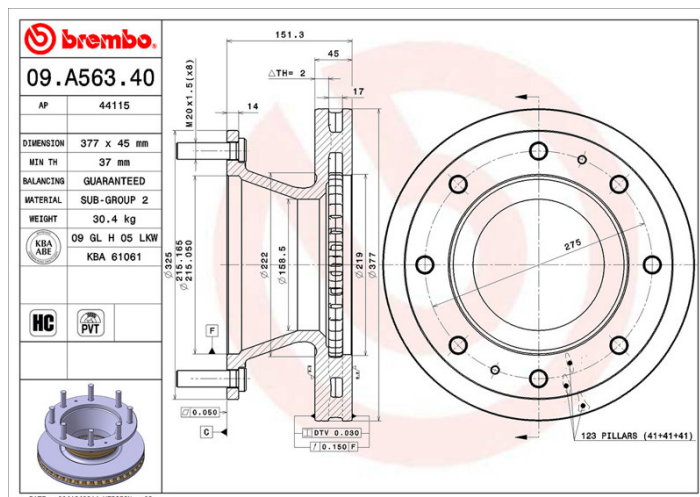
Height (A)
151 mm

Number of holes (C)
8

Brake disc type
Ventilated

Centering (B)
215 mm

Min. thickness
37 mm



COMPATIBLE VEHICLES

COMPATIBLE OE PART NUMBERS

2992271 IVECO

2996706 IVECO

7183804 IVECO

7189859 IVECO
