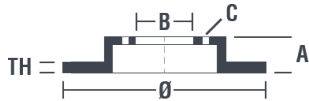


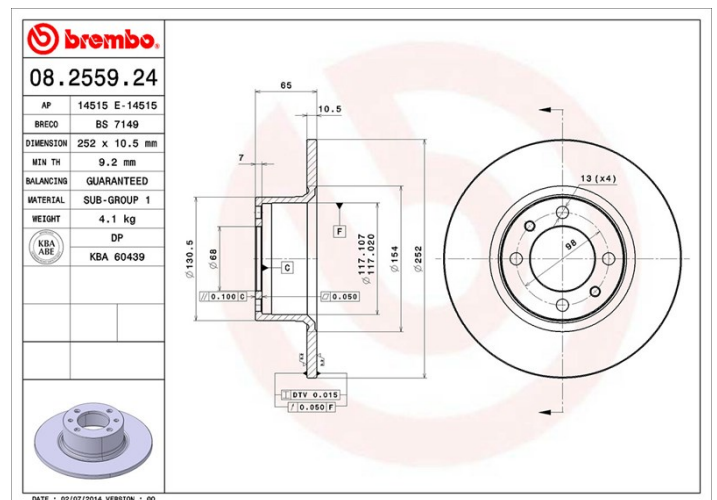
Specificații tehnice disc

Osie Anterioară	Diametru 252 mm
Înălțime totală (A) 65 mm	Diametru de centrare (B) 68 mm
Număr orificii (C) 4	Grosime (TH) 10,5 mm
Grosime min. 9,2 mm	Cuplu de strângere
Unități per cutie 2	Cod EAN 8020584013427



Coduri mărci

Brembo 08.2559.24	AP 14515 E	Breco BS 7149
-----------------------------	----------------------	-------------------------



Specificații tehnice

Autovehicule compatibile

LADA				
Model	Tip	kW	An	
1200-1500 Estate	1200 (VAZ, WAS2102)	44	09/73 08/84	
1200-1500 Estate	1300 (VAZ-21021)	49	01/81 12/82	
1200-1500 Estate	1500 (VAZ2102)	55	09/73 06/85	
1200-1600	1.5 (2103)	49	03/72 12/83	
1200-1600	1200 L/S (VAZ, WAS2101)	44	01/70 06/86	
1200-1600	1300 (VAZ2101)	48	05/78 01/87	
1200-1600	1300 (WAS21011)	51	08/74 08/84	
1200-1600	1500 (WAS2103, WAS2106)	55	09/72 08/84	
1200-1600	1500 N/S (VAZ2103)	55	11/75 10/86	
1200-1600	1600 (2106)	56	01/84 01/90	

1200-1600	1600 (WAS2106)	58	09/72 08/84
1200-1600	1600 N/L (VAZ2106, VAZ2103)	57	03/79 12/05
NOVA (2105)	1200 Junior/L (VAZ, WAS2105)	44	09/81 04/12
NOVA (2105)	1300	49	09/83 12/97
NOVA (2105)	1300 Spezial/L (VAZ, WAS2105)	48	05/81 04/12
NOVA (2105)	1500	49	05/93 04/04
NOVA (2105)	1500 S (WAS21093)	52	06/89 04/12
NOVA (2105)	1500 Special (VAZ2105, WAS21053)	55	03/85 04/12
NOVA (2105)	1600 (WAS21074)	56	01/88 10/01
NOVA (2105)	1700 i Classic (VAZ2107)	62	06/96 04/12
NOVA Estate (2104)	1.5 1500	55	10/86 04/98
NOVA Estate (2104)	1.6	54	02/93 10/98
NOVA Estate (2104)	1200 Junior/L	44	09/84 02/85
NOVA Estate (2104)	1300	48	09/85 12/91
NOVA Estate (2104)	1500	49	08/94 04/12
NOVA Estate (2104)	1500	55	09/85 02/93
NOVA Estate (2104)	1700	62	08/94 04/12
TOSCANA (2107)	1300	48	12/85 05/12
TOSCANA (2107)	1500	55	09/83 02/93

Coduri OE

Coduri OE compatibile

LADA	21013103002
LADA	21013103010
LADA	21013501070
LADA	3103002