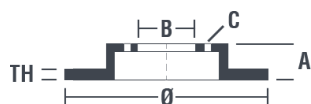


Specificații tehnice disc

Osie Posterioară	Diametru 270 mm
Înălțime totală (A) 67 mm	Diametru de centrare (B) 65,5 mm
Număr orificii (C) 5	Grosime (TH) 10 mm
Grosime min. 8 mm	Cuplu de strângere 110 Nm
Unități per cutie 2	Cod EAN 8020584492710

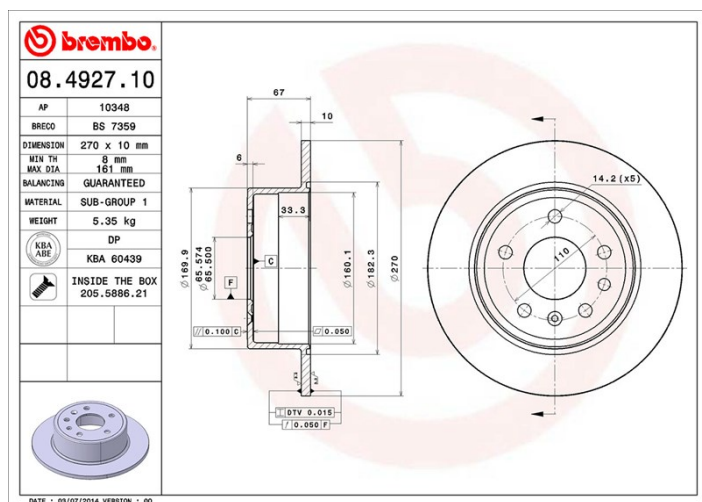


Coduri mărci

Brembo
08.4927.10

AP
10348

Breco
BS 7359



Specificații tehnice

Disc cu șuruburi de fixare

Prin introducerea șurubului de fixare în cutia discului, Brembo furnizează un ajutor în plus mecanicului în situația în care șurubul original ruginește sau se uzează într-o asemenea măsură încât să împiedice reutilizarea sau să o facă periculoasă.



Autovehicule compatibile

OPEL			
Model	Tip	kW	An
OMEGA A (V87)	1.8 (F19, M19, N19)	85	09/86 03/94
OMEGA A (V87)	1.8 (F19, M19, N19)	65	09/87 03/94
OMEGA A (V87)	1.8 N (F19, M19, N19)	60	09/86 08/87
OMEGA A (V87)	1.8 N (F19, M19, N19)	63	11/86 09/88
OMEGA A (V87)	1.8 S (F19, M19, N19)	66	09/86 03/94
OMEGA A (V87)	2.0 (F19, M19, N19)	90	09/86 03/94
OMEGA A (V87)	2.0 (F19, M19, N19)	73	09/90 03/94
OMEGA A (V87)	2.0 (F19, M19, N19)	74	09/90 03/94

OMEGA A (V87)	2.0 i (F19, M19, N19)	85	09/86 03/94
OMEGA A (V87)	2.3 D (F19, M19, N19)	54	10/86 03/94
OMEGA A (V87)	2.3 TD (F19, M19, N19)	66	10/86 08/88
OMEGA A (V87)	2.3 TD Interc. (F19, M19, N19)	74	08/88 03/94
OMEGA A (V87)	2.4 i (F19, M19, N19)	92	09/88 03/94
OMEGA A (V87)	2.6 i (F19, M19, N19)	110	09/90 03/94
OMEGA A (V87)	3.0 (3000) (F19, M19, N19)	130	03/87 09/90
OMEGA A (V87)	3.0 (3000) (F19, M19, N19)	115	03/87 12/87
OMEGA A (V87)	3.0 (3000) Cat (F19, M19, N19)	130	03/88 03/94
OMEGA A (V87)	3.0 24V (3000) (F19, M19, N19)	147	09/89 03/94
OMEGA A (V87)	3.0 24V (3000) (F19, M19, N19)	150	09/89 03/94
OMEGA A (V87)	3.0 24V Evolution500 (F19, M19, N19)	169	03/91 07/92
OMEGA A Estate (V87)	1.8 (F35, M35)	85	09/86 03/94
OMEGA A Estate (V87)	1.8 (F35, M35)	65	09/87 03/94
OMEGA A Estate (V87)	1.8 N (F35, M35)	60	09/86 08/87
OMEGA A Estate (V87)	1.8 N (F35, M35)	63	11/86 09/88
OMEGA A Estate (V87)	1.8 S (F35, M35)	66	09/86 03/94
OMEGA A Estate (V87)	2.0 (F35, M35)	90	09/86 03/94
OMEGA A Estate (V87)	2.0 (F35, M35)	85	09/87 04/94
OMEGA A Estate (V87)	2.0 (F35, M35)	74	09/90 03/94
OMEGA A Estate (V87)	2.0 i (F35, M35)	85	09/86 04/94
OMEGA A Estate (V87)	2.0 i (F35, M35)	73	09/90 03/94
OMEGA A Estate (V87)	2.3 D (F35, M35)	54	09/86 03/94
OMEGA A Estate (V87)	2.3 TD (F35, M35)	66	09/86 08/88
OMEGA A Estate (V87)	2.3 TD Interc. (F35, M35)	74	09/88 03/94
OMEGA A Estate (V87)	2.4 i (F35, M35)	92	09/88 03/94
OMEGA A Estate (V87)	2.6 (F35, M35)	135	09/87 04/94
OMEGA A Estate (V87)	2.6 i (F35, M35)	110	09/90 03/94
OMEGA A Estate (V87)	3.0 (F35, M35)	115	03/87 03/94
OMEGA A Estate (V87)	3.0 (F35, M35)	130	03/87 09/90
OMEGA A Estate (V87)	3.0 24V (F35, M35)	147	09/89 03/94
OMEGA A Estate (V87)	3.0 24V Omega 3000 (F35, M35)	150	09/88 04/94

OMEGA A Estate (V87)	3.0 Cat (F35, M35)	130	03/87 03/94
SENATOR B (V88)	2.5 i (P19)	103	09/90 09/93
SENATOR B (V88)	2.6 i (P19)	110	09/90 09/93
SENATOR B (V88)	3.0 (P19)	130	01/88 09/90
SENATOR B (V88)	3.0 (P19)	115	09/87 09/93
SENATOR B (V88)	3.0 24V (P19)	150	09/89 09/93
SENATOR B (V88)	3.0 i Cat (P19)	130	01/88 09/93

VAUXHALL

Model	Tip	kW	An
CARLTON Mk III Estate (V87)	1.8	65	09/87 03/94
CARLTON Mk III Estate (V87)	1.8 i	85	09/86 03/94
CARLTON Mk III Estate (V87)	1.8 S	66	09/86 03/94
CARLTON Mk III Estate (V87)	2.0	85	09/86 03/94
CARLTON Mk III Estate (V87)	2.0 i	90	09/86 03/94
CARLTON Mk III Estate (V87)	2.2 TD	66	09/86 08/88
CARLTON Mk III Estate (V87)	2.3 D	54	09/86 03/94
CARLTON Mk III Estate (V87)	2.3 TD Interc.	74	09/88 03/94
CARLTON Mk III Estate (V87)	2.6 i	110	09/90 03/94
CARLTON Mk III Estate (V87)	3.0	130	03/87 03/94
CARLTON Mk III Estate (V87)	3.0 24V	147	09/89 03/94
CARLTON Mk III Saloon (V87)	1.8	65	09/87 03/94
CARLTON Mk III Saloon (V87)	1.8 i	85	09/86 03/94
CARLTON Mk III Saloon (V87)	1.8 S	66	09/86 03/94
CARLTON Mk III Saloon (V87)	2.0	85	09/86 03/94
CARLTON Mk III Saloon (V87)	2.0	74	09/90 03/94
CARLTON Mk III Saloon (V87)	2.0 i	90	09/86 03/94
CARLTON Mk III Saloon (V87)	2.2 TD	66	10/86 08/88
CARLTON Mk III Saloon (V87)	2.3 D	54	09/86 03/94
CARLTON Mk III Saloon (V87)	2.3 TD Interc.	74	08/88 03/94
CARLTON Mk III Saloon (V87)	2.6 i	110	09/90 03/94
CARLTON Mk III Saloon (V87)	3.0 3000	130	03/87 09/90
CARLTON Mk III Saloon (V87)	3.0 3000 24V	150	09/89 03/94
CARLTON Mk III Saloon (V87)	3000 24V	147	09/89 03/94
CARLTON Mk III Saloon (V87)	3000 Cat	130	03/88 03/94

SENATOR Mk II (B) (V88)	2.5 i	103	09/87 10/90
SENATOR Mk II (B) (V88)	2.6 i	110	09/90 09/93
SENATOR Mk II (B) (V88)	3.0	130	01/88 09/90
SENATOR Mk II (B) (V88)	3.0	135	09/87 08/88
SENATOR Mk II (B) (V88)	3.0 24V	150	09/89 09/93
SENATOR Mk II (B) (V88)	3.0 i Cat	130	01/88 09/93

Coduri OE

Coduri OE compatibile

OPEL	569101
VAUXHALL	569101
VAUXHALL	90272328