

Disc 08.5625.10



Specificații tehnice disc

Osie Posterioară

Diametru
269 mm

Înălțime totală (A)
64,5 mm

Diametru de centrare (B)
54 mm

Număr orificii (C)
5

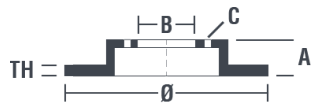
Grosime (TH)
10 mm

Grosime min.
9 mm

Cuplu de strângere
103 Nm

Unități per cutie
2

Cod EAN
8020584562512

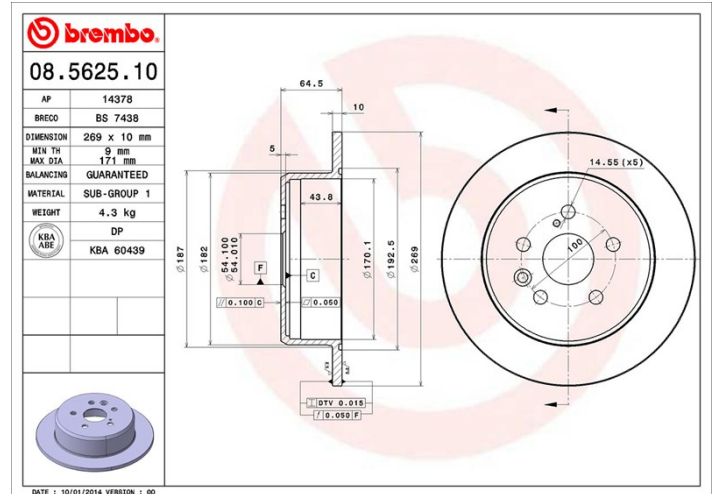


Coduri mărci

Brembo
08.5625.10

AP
14378

Breco
BS 7438



Specificații tehnice

Autovehicule compatibile

LEXUS

Model	Tip	kW	An
ES (VCV10_, VZV21_)	250 (VZV21_)	118	12/89 12/91

TOYOTA

Model	Tip	kW	An
CAMRY (_V2_)	1.8 (SV20_)	66	10/86 08/88
CAMRY (_V2_)	2.0 (SV21_)	94	11/86 05/91
CAMRY (_V2_)	2.0 (SV21_)	89	11/86 02/93
CAMRY (_V2_)	2.5 (VZV21_)	118	10/86 06/91
CAMRY Estate (_V2_)	2.0 (SV21_)	93	09/89 06/91
CAMRY Estate (_V2_)	2.0 (SV21_)	94	11/86 05/91

CAMRY Estate (_V2_)	2.0 (SV21_)	89	11/86 02/93
CAMRY Estate (_V2_)	2.0 4WD (SV25_)	94	08/88 05/91
CAMRY Estate (_V2_)	2.5 (VZV21_)	118	11/86 05/91
CARINA II (_T17_)	2.0 GLi	94	12/87 03/92
CARINA II (_T17_)	2.0 GLI (ST171)	89	12/87 03/92
CARINA II Estate (_T17_)	2.0 (ST171_)	89	12/87 04/92
CARINA II Saloon (_T17_)	2.0 GLI (ST171)	89	12/87 03/92
CELICA (_T16_)	2.0 (ST162_)	110	01/87 08/89
CELICA Convertible (_T16_)	2.0 GT (ST162)	103	08/85 08/89
CELICA Convertible (_T16_)	2.0 GT (ST162)	110	10/86 08/89
CELICA Convertible (_T18_)	2.0 GTi (ST182)	115	10/89 11/93
CELICA Convertible (_T20_)	2.0 GTi (ST202)	129	08/94 08/99
CELICA Convertible (_T20_)	2.0 i 16V (ST202)	125	11/93 08/99
CELICA Coupe (_T18_)	2.0 GTi (ST182)	115	10/89 01/94
CELICA Coupe (_T20_)	1.8 i 16V (AT200/ST)	85	11/93 11/99
CELICA Coupe (_T20_)	2.0 i 16V (ST202/GT)	129	11/93 11/99
CELICA Coupe (_T20_)	2.0 i 16V (ST202_)	125	04/96 11/99
CELICA Hatchback (_T16_)	2.0 GT (ST162)	110	08/85 08/89
CELICA Hatchback (_T16_)	2.0 GT (ST162_)	103	09/85 08/89

Coduri OE

Coduri OE compatibile

TOYOTA	4243120090
TOYOTA	4243120160