

## Specificații tehnice disc

<b>Osie</b> Posterioară	<b>Diametru</b> 265 mm
<b>Înălțime totală (A)</b> 49 mm	<b>Diametru de centrare (B)</b> 90 mm
<b>Număr orificii (C)</b> 4	<b>Grosime (TH)</b> 10 mm
<b>Grosime min.</b> 8,4 mm	<b>Cuplu de strângere</b> 108 Nm
<b>Unități per cutie</b> 2	<b>Cod EAN</b> 8020584563922

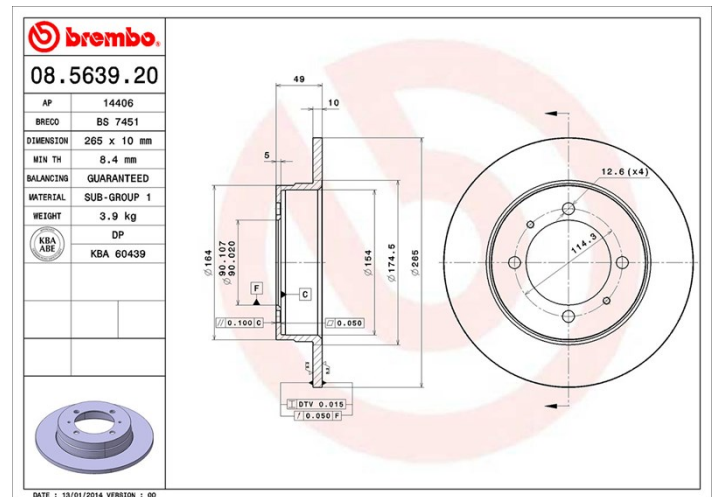


## Coduri mărci

**Brembo**  
08.5639.20

**AP**  
14406

**Breco**  
BS 7451



## Specificații tehnice

## Autovehicule compatibile

### MITSUBISHI

Model	Tip	kW	An
COLT III (C5_A)	1.6 GTi 16V (C53A)	91	04/88 05/90
COLT III (C5_A)	1.8 GTi 16V Cat (C58A)	100	06/90 05/92
GALANT IV (E3_A)	1.8 (E32A)	66	11/88 10/92
GALANT IV (E3_A)	1.8 Turbo-D (E34A)	55	11/88 10/92
GALANT IV (E3_A)	2.0 (E39A, E38A, E33A)	77	05/89 12/92
GALANT IV (E3_A)	2.0 (E39A, E38A, E33A)	80	04/89 10/92
GALANT IV (E3_A)	2.0 4WD (E33A, E38A, E39A)	80	04/89 10/92
GALANT IV (E3_A)	2.0 GTI 16V (E39A, E38A, E33A)	106	11/88 10/92
GALANT IV (E3_A)	2.0 GTI 16V (E39A, E38A, E33A)	107	11/88 10/92

GALANT IV (E3_A)	2.0 GTi 16V 4x4 (E38A, E39A, E33A)	106	07/89 12/92
GALANT IV Saloon (E3_A)	1.8 (E32A)	63	11/87 08/90
GALANT IV Saloon (E3_A)	1.8 (E32A)	66	11/87 10/92
GALANT IV Saloon (E3_A)	1.8 Turbo-D (E34A)	55	12/87 10/92
GALANT IV Saloon (E3_A)	2.0 (E39A, E38A, E33A)	77	05/89 12/92
GALANT IV Saloon (E3_A)	2.0 (E39A, E38A, E33A)	80	11/87 10/92
GALANT IV Saloon (E3_A)	2.0 4WD (E39A, E38A, E33A)	80	12/88 10/92
GALANT IV Saloon (E3_A)	2.0 GTi 16V (E39A, E38A, E33A)	106	11/87 10/92
GALANT IV Saloon (E3_A)	2.0 GTi 16V (E39A, E38A, E33A)	107	11/88 10/92
GALANT IV Saloon (E3_A)	2.0 GTi 16V 4WD (E39A, E38A, E33A)	106	06/88 10/92
GALANT IV Saloon (E3_A)	2.0 GTi 16V Cat 4WD (E38A, E39A, E33A)	110	09/91 10/92
LANCER IV Hatchback (C6_A, C7_A)	1.6 16V (C76A, C66A)	83	06/92 05/94
LANCER IV Hatchback (C6_A, C7_A)	1.8 GTi 16V (C68A)	100	11/89 05/92

## Coduri OE

### Coduri OE compatibile

EAGLE	MB500555
EAGLE	MB500556
MITSUBISHI	MB500555
MITSUBISHI	MB500556