

Disc 08.9081.75

brembo
AFTERMARKET

Specificații tehnice disc

Osie Posterioară

Diametru
258 mm

Înălțime totală (A)
40,3 mm

Diametru de centrare (B)
76 mm

Număr orificii (C)
4

Grosime (TH)
10 mm

Grosime min.
8 mm

Cuplu de strângere 
100 Nm

Unități per cutie
2

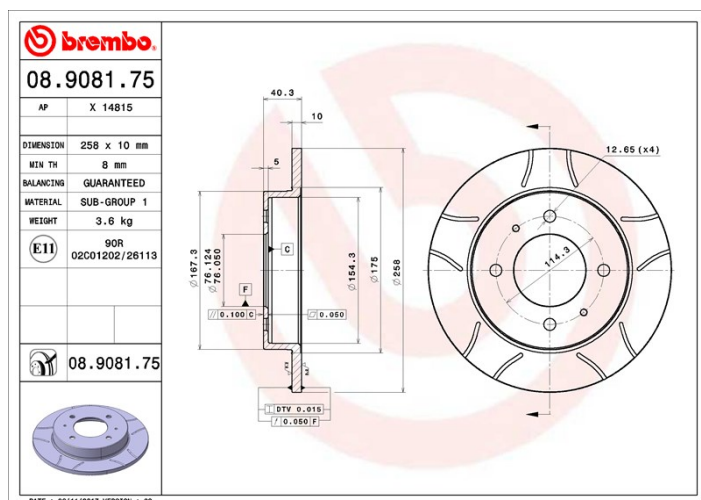
Cod EAN
8020584029701



Coduri mărci

Brembo
08.9081.75

AP
X 14815



Specificații tehnice

Disc UV

Procesul de vopsire UV garantează o rezistență superioară la coroziune și o protecție completă a discului.



Autovehicule compatibile

HYUNDAI

Model	Tip	kW	An
COUPE (RD)	1.6 16V	85	03/98 04/02
COUPE (RD)	1.6 i 16V	79	08/00 01/02
COUPE (RD)	1.6 i 16V	84	12/96 04/02
COUPE (RD)	1.8 SX	94	07/96 04/02
COUPE (RD)	2.0	101	08/99 01/02
COUPE (RD)	2.0 16V	99	03/01 04/02
COUPE (RD)	2.0 16V	102	08/96 04/02
COUPE (RD)	F2 Evolution	115	01/99 12/01

ELANTRA (XD)	1.6	77	05/03 07/06
ELANTRA (XD)	1.6	66	06/00 07/06
ELANTRA (XD)	1.6	79	06/00 07/06
ELANTRA (XD)	1.6	82	09/03 07/06
ELANTRA (XD)	1.8	79	06/00 07/03
ELANTRA (XD)	1.8	97	06/00 07/06
ELANTRA (XD)	1.8	98	11/02 07/06
ELANTRA (XD)	2.0	102	06/00 07/06
ELANTRA (XD)	2.0	104	06/00 07/06
ELANTRA (XD)	2.0	105	10/03 07/06
ELANTRA (XD)	2.0 CRDi	83	04/01 07/06
ELANTRA Saloon (XD)	1.6	77	05/03 05/06
ELANTRA Saloon (XD)	1.6	66	06/00 07/06
ELANTRA Saloon (XD)	1.6	79	06/00 07/06
ELANTRA Saloon (XD)	1.8	79	06/00 07/03
ELANTRA Saloon (XD)	1.8	97	06/00 07/06
ELANTRA Saloon (XD)	2.0	102	06/00 07/06
ELANTRA Saloon (XD)	2.0	104	06/00 07/06
ELANTRA Saloon (XD)	2.0	105	10/03 07/06
ELANTRA Saloon (XD)	2.0 CRDi	83	04/01 07/06
LANTRA I (J-1)	1.5 i.e.	63	10/90 11/95
LANTRA I (J-1)	1.6 i.e. 16V	78	10/90 11/95
LANTRA I (J-1)	1.6 i.e. 16V	84	10/90 11/95
LANTRA I (J-1)	1.8 i.e. 16V	93	10/90 11/95
LANTRA II (J-2)	1.5 12V	65	12/96 09/00
LANTRA II (J-2)	1.6 16V	84	11/95 09/00
LANTRA II (J-2)	1.6 i	66	11/95 09/00
LANTRA II (J-2)	1.8 16V	94	11/95 09/00
LANTRA II (J-2)	1.9 D	50	03/98 09/00
LANTRA II (J-2)	2.0	100	04/97 05/00
LANTRA II (J-2)	2.0 16V	102	08/96 09/00
LANTRA II Estate (J-2)	1.5 12V	65	04/97 10/00
LANTRA II Estate (J-2)	1.6 16V	84	02/96 10/00
LANTRA II Estate (J-2)	1.6 i	66	02/96 10/00

LANTRA II Estate (J-2)	1.8 16V	94	02/96 10/00
LANTRA II Estate (J-2)	1.9 D	50	03/98 10/00
LANTRA II Estate (J-2)	2.0	100	04/97 05/00
LANTRA II Estate (J-2)	2.0 16V	102	11/95 10/00

HYUNDAI (BEIJING)

Model	Tip	kW	An
ELANTRA Hatchback	1.6	81	12/03 12/10
ELANTRA Saloon	1.6	82	12/03 12/14
ELANTRA Saloon	1.6 CNG	76	10/10 12/14
ELANTRA Saloon	1.6 CNG	82	12/08 12/14
ELANTRA Saloon	1.6 LPG	82	03/08 -
ELANTRA Saloon	1.8	96	12/03 12/08

Coduri OE

Coduri OE compatibile

HYUNDAI	5841129300
HYUNDAI	5841129310