



BRAKE DISC

08.9597.17

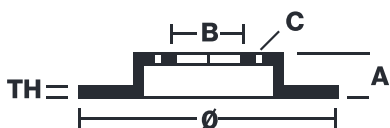
The **08.9597.17** brake disc is synonymous with reliability

The Brembo brake disc is fully interchangeable with an Original Equipment brake disc. The control of the entire production cycle allows Brembo to offer brake discs with outstanding performance levels, reliability, durability and comfort in all conditions of use. All Brembo brake discs are accompanied by the ECE-R90 homologation.

- ✓ OE-equivalent
- ✓ Brembo quality
- ✓ ECE-R90 certificate
- ✓ Safety
- ✓ Bearing kit



Technical specifications



EAN code
8020584016947

Axle
Rear

Diameter Ø
280 mm

Thickness (TH)
12 mm

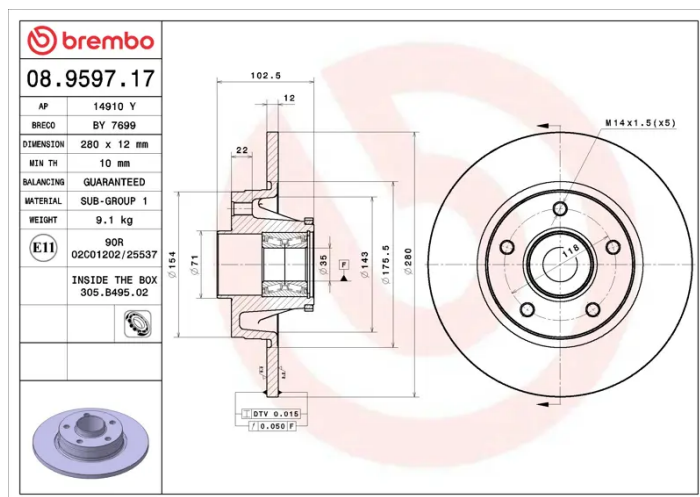
Height (A)
103 mm

Number of holes (C)
5

Brake disc type
Solid

Centering (B)
35 mm

Min. thickness
10 mm



COMPATIBLE VEHICLES

COMPATIBLE OE PART NUMBERS

4320600Q0D NISSAN

4320600QAB NISSAN

4320600QAC NISSAN

4320600QAD NISSAN

4320600QAE NISSAN

7701206864 NISSAN

8200218779 NISSAN

4408276 OPEL

4411910 OPEL

4413736 OPEL

4414633 OPEL

91159916 OPEL

91166212 OPEL

93161254 OPEL

93850649 OPEL

7701206846 RENAULT

7711130076 RENAULT

8200050013 RENAULT

8200218779 RENAULT

8200228610 RENAULT

8671019313 RENAULT

91159916 VAUXHALL

91166212 VAUXHALL

93161254 VAUXHALL

93850649 VAUXHALL
