

Disc 08.A114.20



Specificații tehnice disc

Osie Posterioară

Diametru
262 mm

Înălțime totală (A)
61 mm

Diametru de centrare (B)
76 mm

Număr orificii (C)
5

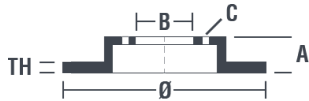
Grosime (TH)
10 mm

Grosime min.
8,4 mm

Cuplu de strângere
100 Nm

Unități per cutie
2

Cod EAN
8020584017890

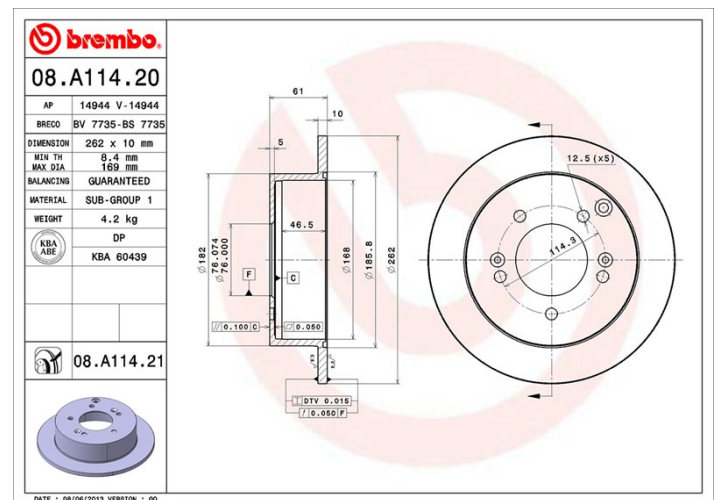


Coduri mărci

Brembo
08.A114.20

AP
14944

Breco
BS 7735



Specificații tehnice

Autovehicule compatibile

HYUNDAI

Model	Tip	kW	An
SONATA V (NF)	2.0 CRDi	100	02/06 12/10
SONATA V (NF)	2.0 CRDi	103	02/06 12/10
SONATA V (NF)	2.0 VVTi GLS	106	05/05 12/10
SONATA V (NF)	2.4	119	01/05 12/10
TUCSON (JM)	2.0	105	01/07 01/12
TUCSON (JM)	2.0	104	08/04 -
TUCSON (JM)	2.0 CRDi	100	01/06 03/10
TUCSON (JM)	2.0 CRDi	103	01/06 03/10
TUCSON (JM)	2.0 CRDi	88	01/07 03/10
TUCSON (JM)	2.0 CRDi	110	01/09 03/10

TUCSON (JM)	2.0 CRDi	83	08/04 03/10
XG (XG)	250	120	12/98 12/05
XG (XG)	30	138	12/98 12/05
XG (XG)	300	145	09/99 09/03
XG (XG)	350	145	10/02 12/05

HYUNDAI (BEIJING)

Model	Tip	kW	An
SONATA (NF)	2.0	107	09/05 12/10
SONATA (NF)	2.4	121	09/05 12/10
SONATA (NFC)	2.0	121	12/08 12/12
SONATA (NFC)	2.4	128	12/08 12/12
TUCSON (JM)	2.0	104	05/05 12/15
TUCSON (JM)	2.0 All-wheel Drive	104	05/05 12/15
TUCSON (JM)	2.7 All-wheel Drive	127	05/05 -

KIA

Model	Tip	kW	An
MAGENTIS (MG)	2.0	121	07/09 -
MAGENTIS (MG)	2.0	106	11/05 -
MAGENTIS (MG)	2.0 CRDi	103	04/06 -
MAGENTIS (MG)	2.0 CRDi	110	04/06 -
MAGENTIS (MG)	2.0 CRDi	100	11/05 12/08
MAGENTIS (MG)	2.7	138	11/05 -
MAGENTIS (MG)	2.7 V6	142	07/09 -
SPORTAGE (JE_, KM_)	2.0 CRDi	100	01/06 -
SPORTAGE (JE_, KM_)	2.0 CRDi	103	01/06 -
SPORTAGE (JE_, KM_)	2.0 CRDi	83	02/05 -
SPORTAGE (JE_, KM_)	2.0 CRDi	110	09/07 -
SPORTAGE (JE_, KM_)	2.0 i 16V	104	09/04 -

Coduri OE

Coduri OE compatibile

HYUNDAI	5841139300
HYUNDAI	5841139600
HYUNDAI	584113K300

KIA	5841139300
-----	------------

KIA	5841139600
-----	------------

KIA	584113K300
-----	------------
