

Specificații tehnice disc

Osie Posterioară

Diametru
271 mm

Înălțime totală (A)
60,7 mm

Diametru de centrare (B)
55 mm

Număr orificii (C)
5

Grosime (TH)
10 mm

Grosime min.
9 mm

Cuplu de strângere 
103 Nm

Unități per cutie
2

Cod EAN
8020584016565

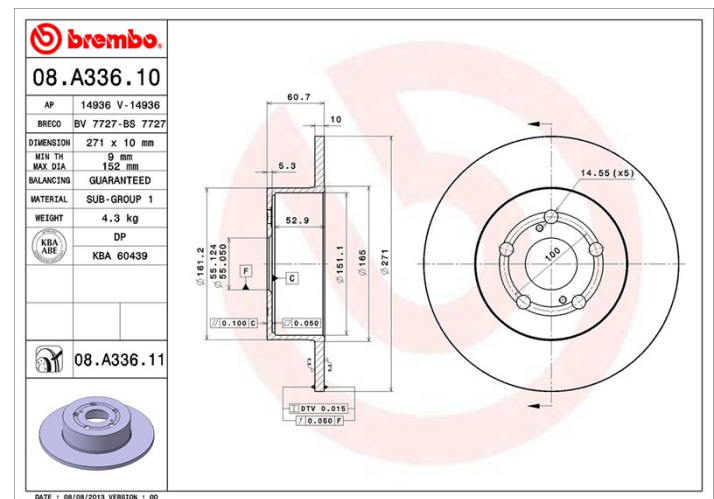


Coduri mărci

Brembo
08.A336.10

AP
14936

Breco
BS 7727



Specificații tehnice

Autovehicule compatibile

TOYOTA

| Model | Tip | kW | An |
|------------------------|---------------------|-----|-------------|
| AVENSIS (_T22_) | 1.6 VVT-i (ZZT220_) | 81 | 10/00 02/03 |
| AVENSIS (_T22_) | 1.8 VVT-i (ZZT221_) | 95 | 10/00 02/03 |
| AVENSIS (_T22_) | 2.0 D-4D (CDT220_) | 81 | 10/99 02/03 |
| AVENSIS (_T22_) | 2.0 TD (CT220_) | 66 | 09/97 02/03 |
| AVENSIS (_T22_) | 2.0 VVT-i (AZT220_) | 110 | 10/00 02/03 |
| AVENSIS Estate (_T22_) | 1.6 (ZZT220_) | 81 | 07/00 02/03 |
| AVENSIS Estate (_T22_) | 1.8 (ZZT221_) | 95 | 10/00 02/03 |
| AVENSIS Estate (_T22_) | 2.0 (AZT220_) | 110 | 10/00 02/03 |
| AVENSIS Estate (_T22_) | 2.0 D (CDT220_) | 85 | 09/02 02/03 |

| | | | |
|--------------------------|--------------------|-----|-------------|
| AVENSIS Estate (_T22_) | 2.0 D-4D (CDT220_) | 81 | 10/99 02/03 |
| AVENSIS Estate (_T22_) | 2.0 TD (CT220_) | 66 | 09/97 02/03 |
| AVENSIS Liftback (_T22_) | 1.6 (ZZT220_) | 81 | 10/00 02/03 |
| AVENSIS Liftback (_T22_) | 1.8 (ZZT221_) | 95 | 10/00 02/03 |
| AVENSIS Liftback (_T22_) | 2.0 (AZT220_) | 110 | 10/00 02/03 |
| AVENSIS Liftback (_T22_) | 2.0 D (CDT220_) | 85 | 09/02 02/03 |
| AVENSIS Liftback (_T22_) | 2.0 D-4D (CDT220_) | 81 | 10/99 02/03 |
| AVENSIS Liftback (_T22_) | 2.0 TD (CT220_) | 66 | 09/97 02/03 |

Coduri OE

Coduri OE compatibile

TOYOTA

4243105040