

Disc 08.A869.10

brembo
AFTERMARKET

Specificații tehnice disc

Osie Posterioară

Diametru
262 mm

Înălțime totală (A)
61,1 mm

Diametru de centrare (B)
76 mm

Număr orificii (C)
5

Grosime (TH)
10 mm

Grosime min.
8,4 mm

Cuplu de strângere 
100 Nm

Unități per cutie
2

Cod EAN
8020584024447



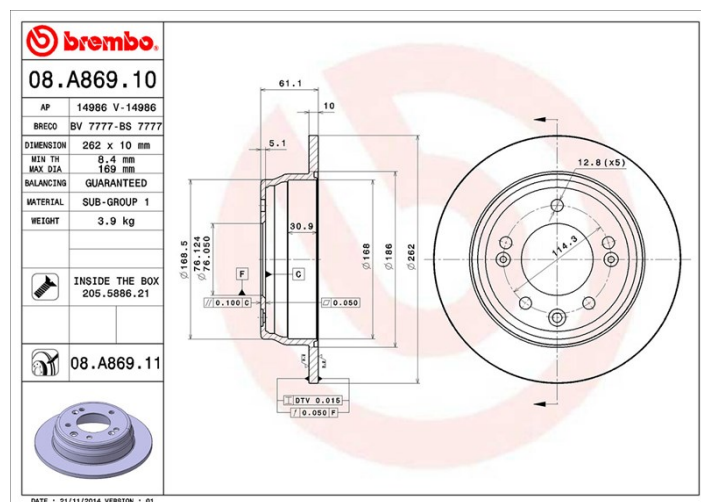
brembo

Coduri mărci

Brembo
08.A869.10

AP
14986

Breco
BS 7777



Specificații tehnice

Disc cu șuruburi de fixare

Prin introducerea șurubului de fixare în cutia discului, Brembo furnizează un ajutor în plus mecanicului în situația în care șurubul original ruginește sau se uzează într-o asemenea măsură încât să împiedice reutilizarea sau să o facă periculoasă.



Autovehicule compatibile

HYUNDAI

Model	Tip	kW	An
i30 (FD)	1.4	77	10/07 11/11
i30 (FD)	1.4	80	10/07 11/11
i30 (FD)	1.6	93	02/08 11/11
i30 (FD)	1.6	85	10/07 11/11
i30 (FD)	1.6	90	10/07 11/11
i30 (FD)	1.6 CRDi	94	01/10 11/11
i30 (FD)	1.6 CRDi	66	10/07 11/11
i30 (FD)	1.6 CRDi	85	10/07 11/11

i30 (FD)	2.0	105	10/07 11/11
i30 (FD)	2.0 CRDi	100	10/07 11/11
i30 (FD)	2.0 CRDi	103	10/07 11/11
i30 Estate (FD)	1.4	77	10/07 06/12
i30 Estate (FD)	1.4	80	11/09 06/12
i30 Estate (FD)	1.6	85	02/08 06/12
i30 Estate (FD)	1.6	90	02/08 06/12
i30 Estate (FD)	1.6	93	02/08 06/12
i30 Estate (FD)	1.6 CRDi	94	01/10 06/12
i30 Estate (FD)	1.6 CRDi	66	02/08 06/12
i30 Estate (FD)	1.6 CRDi	85	02/08 06/12
i30 Estate (FD)	2.0	105	02/08 06/12
i30 Estate (FD)	2.0 CRDi	103	02/08 06/12
i30 Estate (FD)	2.0 CRDi	100	10/08 06/12
ix35 (LM, EL, ELH)	1.6	99	11/10 -
ix35 (LM, EL, ELH)	1.7 CRDi	85	11/10 -
ix35 (LM, EL, ELH)	2.0	120	01/10 -
ix35 (LM, EL, ELH)	2.0 CRDi	100	01/10 -
ix35 (LM, EL, ELH)	2.0 CRDi	130	01/12 -
ix35 (LM, EL, ELH)	2.0 CRDi	135	01/12 -
ix35 (LM, EL, ELH)	2.0 CVVT	110	08/09 -
HYUNDAI (BEIJING)			
Model	Tip	kW	An
i30 Hatchback	1.6	90	07/09 12/14
i30 Hatchback	2.0	105	07/09 12/14
ix25	1.6	92	10/14 -
ix25	1.6 TGDI	118	09/16 -
ix25	2.0	118	10/14 12/17
ix25	2.0 AWD	118	10/14 12/17
ix35	2.0	120	04/10 12/12
ix35	2.0	118	04/12 -
ix35	2.0	121	04/12 -
ix35	2.4	128	04/10 12/17
ix35	2.4	125	04/12 -

KIA			
Model	Tip	kW	An
CEE'D Hatchback (ED)	1.4	77	12/06 12/12
CEE'D Hatchback (ED)	1.4	80	12/06 12/12
CEE'D Hatchback (ED)	1.4 CVVT	66	08/09 12/12
CEE'D Hatchback (ED)	1.6	93	02/08 12/12
CEE'D Hatchback (ED)	1.6	85	09/07 12/12
CEE'D Hatchback (ED)	1.6	90	12/06 12/12
CEE'D Hatchback (ED)	1.6 CRDi 115	85	12/06 12/12
CEE'D Hatchback (ED)	1.6 CRDi 128	94	10/10 12/12
CEE'D Hatchback (ED)	1.6 CRDi 90	66	12/06 12/12
CEE'D Hatchback (ED)	1.6 CVVT	92	10/10 12/12
CEE'D Hatchback (ED)	2.0	105	12/06 12/12
CEE'D Hatchback (ED)	2.0 CRDi	100	06/07 12/12
CEE'D Hatchback (ED)	2.0 CRDi 140	103	09/07 12/12
CEE'D SW (ED)	1.4	80	09/07 12/12
CEE'D SW (ED)	1.4	77	10/10 12/12
CEE'D SW (ED)	1.4 CVVT	66	07/09 12/12
CEE'D SW (ED)	1.6	85	09/07 11/12
CEE'D SW (ED)	1.6	90	09/07 12/12
CEE'D SW (ED)	1.6	93	09/07 12/12
CEE'D SW (ED)	1.6 CRDi 115	85	09/07 12/12
CEE'D SW (ED)	1.6 CRDi 128	94	10/10 12/12
CEE'D SW (ED)	1.6 CRDi 90	66	09/07 12/12
CEE'D SW (ED)	1.6 CVVT	92	06/09 12/12
CEE'D SW (ED)	1.6 LPG	91	01/08 09/12
CEE'D SW (ED)	2.0	105	09/07 12/12
CEE'D SW (ED)	2.0 CRDi 140	103	07/07 12/12
PRO CEE'D (ED)	1.4	77	02/08 09/12
PRO CEE'D (ED)	1.4	80	02/08 09/12
PRO CEE'D (ED)	1.4 CVVT	66	06/10 09/12
PRO CEE'D (ED)	1.6	90	02/08 09/12
PRO CEE'D (ED)	1.6	93	02/08 09/12
PRO CEE'D (ED)	1.6 CRDi 115	85	02/08 09/12

PRO CEE'D (ED)	1.6 CRDi 128	94	10/10 09/12
PRO CEE'D (ED)	1.6 CRDi 90	66	02/08 09/12
PRO CEE'D (ED)	1.6 CVVT	92	10/10 02/13
PRO CEE'D (ED)	2.0	105	02/08 09/12
PRO CEE'D (ED)	2.0 CRDi 140	103	02/08 09/12
PRO CEE'D (ED)	2.0 LPG	105	01/09 12/09
SPORTAGE (SL)	1.6 GDI	99	02/11 -
SPORTAGE (SL)	1.7 CRDi	85	12/10 -
SPORTAGE (SL)	2.0 CRDi	100	07/10 -
SPORTAGE (SL)	2.0 CRDi	135	08/10 -
SPORTAGE (SL)	2.0 CVVT	110	06/10 12/13
SPORTAGE (SL)	2.0 CVVT	120	07/10 -
SPORTAGE (SL)	2.0 CVVT	122	07/10 -
SPORTAGE (SL)	2.0 CVVT AWD	120	07/10 -
SPORTAGE (SL)	2.0 CVVT AWD	122	07/10 -
SPORTAGE (SL)	2.0 GDI	122	02/14 -

KIA (DYK)

Model	Tip	kW	An
SPORTAGE-R Closed Off-Road Vehicle	2.0	120	10/10 12/11
SPORTAGE-R Closed Off-Road Vehicle	2.0	121	11/11 -
SPORTAGE-R Closed Off-Road Vehicle	2.0 4WD	120	10/10 12/11
SPORTAGE-R Closed Off-Road Vehicle	2.0 4WD	121	11/11 -
SPORTAGE-R Closed Off-Road Vehicle	2.4 4WD	128	10/10 -

Coduri OE

Coduri OE compatibile

HYUNDAI	584111H100
HYUNDAI	584111H300
KIA	584111H100
KIA	584111H300