



BRAKE DISC PAINTED

08.C065.11

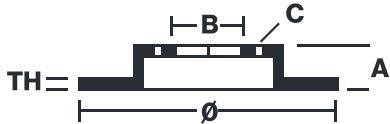
The 08.C065.11 painted brake disc is synonymous with reliability

The Brembo brake disc with special UV paint treatment guarantees superior corrosion resistance for the product, thanks to the protective coating on the outer edges and on the disc hub. The UV paint not only gives the disc a clean, shiny appearance but is also beneficial for the environment as the water-based UV paint treatment does not require the use of chemical solvents and is a low energy consumption process.

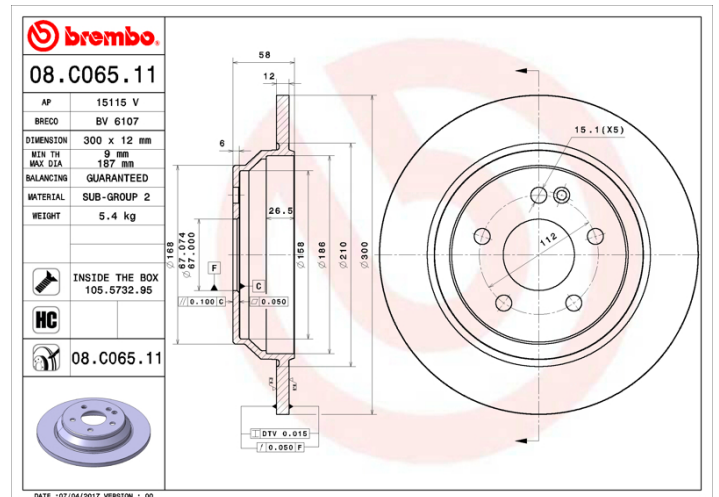
- ✓ OE-equivalent
- ✓ Brembo quality
- ✓ ECE-R90 certificate
- ✓ Safety
- ✓ High carbon
- ✓ Anti-corrosion
- ✓ Fastening screws



Technical specifications



EAN code 8020584226889	Axle Rear	Diameter Ø 300 mm
Thickness (TH) 12 mm	Height (A) 58 mm	Number of holes (C) 5
Brake disc type Solid	Centering (B) 67 mm	Min. thickness 9 mm



COMPATIBLE VEHICLES

COMPATIBLE OE PART NUMBERS

4474230012 MERCEDES-BENZ

447423001207 MERCEDES-BENZ

4474230412 MERCEDES-BENZ

447423041207 MERCEDES-BENZ

A4474230012 MERCEDES-BENZ

A447423001207 MERCEDES-BENZ

A4474230412 MERCEDES-BENZ

A447423041207 MERCEDES-BENZ
