

Disc 08.C309.10

brembo
AFTERMARKET

Specificații tehnice disc

Osie Posterioară

Diametru
290 mm

Înălțime totală (A)
35 mm

Diametru de centrare (B)
71 mm

Număr orificii (C)
5

Grosime (TH)
12 mm

Grosime min.
10 mm

Cuplu de strângere 
Nm

Unități per cutie
2

Cod EAN
8020584218990



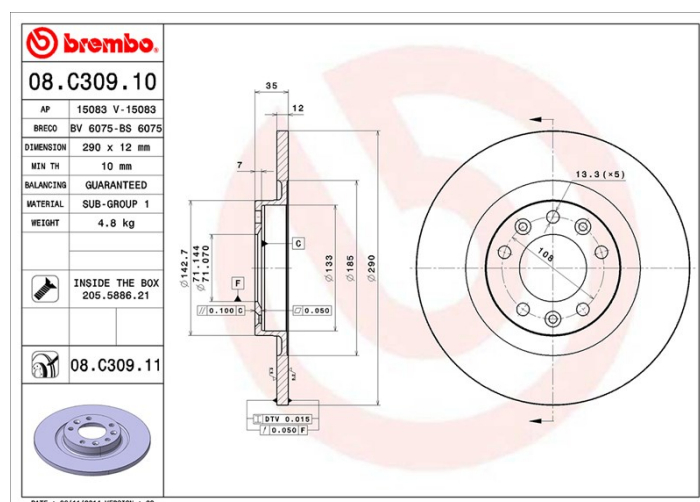
brembo

Coduri mărci

Brembo
08.C309.10

AP
15083

Breco
BS 6075



Specificații tehnice

Disc cu șuruburi de fixare

Prin introducerea șurubului de fixare în cutia discului, Brembo furnizează un ajutor în plus mecanicului în situația în care șurubul original ruginește sau se uzează într-o asemenea măsură încât să împiedice reutilizarea sau să o facă periculoasă.



Autovehicule compatibile

CITROËN

Model	Tip	kW	An
C4 Grand Picasso II	1.2 THP 130	96	04/14 -
C4 Grand Picasso II	1.6 BlueHDi 100	73	01/15 -
C4 Grand Picasso II	1.6 BlueHDi 120	88	07/14 -
C4 Grand Picasso II	1.6 HDi / BlueHDi 115	85	09/13 -
C4 Grand Picasso II	1.6 HDi 90	68	09/13 -
C4 Grand Picasso II	1.6 THP 150	110	09/14 -
C4 Grand Picasso II	1.6 THP 155	115	09/13 -
C4 Grand Picasso II	1.6 THP 165	121	07/14 -

C4 Grand Picasso II	1.6 VTi 120	88	09/13 -
C4 Grand Picasso II	2.0 BlueHDi 135	100	09/13 -
C4 Grand Picasso II	2.0 BlueHDi 150	110	09/13 -
C4 Picasso II	1.2 THP 110	81	04/16 -
C4 Picasso II	1.2 THP 130	96	04/14 -
C4 Picasso II	1.6 BlueHDi 100	73	12/14 -
C4 Picasso II	1.6 BlueHDi 120	88	07/14 -
C4 Picasso II	1.6 HDi / BlueHDi 115	85	02/13 -
C4 Picasso II	1.6 HDi 90	68	02/13 -
C4 Picasso II	1.6 THP 150	110	09/14 -
C4 Picasso II	1.6 THP 155	115	02/13 -
C4 Picasso II	1.6 THP 165	121	07/14 -
C4 Picasso II	1.6 VTi 120	88	02/13 -
C4 Picasso II	2.0 BlueHDi 135	100	09/13 -
C4 Picasso II	2.0 BlueHDi 150	110	09/13 -
C4 Picasso II	2.0 i 16V	105	06/13 12/14
C4 SPACETOURER (3D_)	1.2 PureTech 110	81	04/18 -
C4 SPACETOURER (3D_)	1.2 PureTech 130	96	04/18 -
C4 SPACETOURER (3D_)	1.5 BlueHDi 130	96	05/18 -
C4 SPACETOURER (3D_)	1.6 BlueHDi 100	73	04/18 -
C4 SPACETOURER (3D_)	1.6 BlueHDi 120	88	04/18 -
C4 SPACETOURER (3D_)	1.6 THP 165	121	04/18 -
C4 SPACETOURER (3D_)	2.0 BlueHDi 150	110	04/18 -
C4 SPACETOURER (3D_)	2.0 BlueHDi 160	120	04/18 -
GRAND C4 SPACETOURER (3A_, 3E_)	1.2 PureTech 130	96	04/18 -
GRAND C4 SPACETOURER (3A_, 3E_)	1.5 BlueHDi 130	96	05/18 -
GRAND C4 SPACETOURER (3A_, 3E_)	1.6 BlueHDi 100	73	04/18 -
GRAND C4 SPACETOURER (3A_, 3E_)	1.6 BlueHDi 120	88	04/18 -
GRAND C4 SPACETOURER (3A_, 3E_)	1.6 THP 165	121	04/18 -
GRAND C4 SPACETOURER (3A_, 3E_)	2.0 BlueHDi 150	110	04/18 -
GRAND C4 SPACETOURER (3A_, 3E_)	2.0 BlueHDi 160	120	04/18 -
JUMPY (V_)	1.6 BlueHDi 115	85	04/16 -
JUMPY (V_)	1.6 BlueHDi 95	70	04/16 -
JUMPY (V_)	2.0 BlueHDi 150	110	04/16 -

JUMPY Box (V_)	1.6 BlueHDi 115	85	04/16 -
JUMPY Box (V_)	1.6 BlueHDi 95	70	04/16 -
JUMPY Box (V_)	2.0 BlueHDi 120	90	04/16 -
JUMPY Box (V_)	2.0 BlueHDi 150	110	04/16 -
JUMPY Box (V_)	2.0 BlueHDi 180	130	04/16 -
SPACETOURER (V_)	2.0 BlueHDi 120	90	04/16 -
DS			
Model	Tip	kW	An
DS 7 Crossback	1.5 BlueHDi 130	96	09/17 -
DS 7 Crossback	1.6 PureTech 225	165	09/17 -
DS 7 Crossback	2.0 BlueHDi 180	130	09/17 -
OPEL			
Model	Tip	kW	An
GRANDLAND X (A18)	1.2 (75)	96	06/17 -
GRANDLAND X (A18)	1.6 Turbo D (75)	88	06/17 -
GRANDLAND X (A18)	2.0 D (75)	130	11/17 -
PEUGEOT			
Model	Tip	kW	An
3008 SUV (M_)	1.2 PureTech 130	96	05/16 -
3008 SUV (M_)	1.6 BlueHDi 100	73	11/16 -
3008 SUV (M_)	1.6 BlueHDi 115	85	11/16 -
3008 SUV (M_)	1.6 BlueHDi 120	88	05/16 -
3008 SUV (M_)	1.6 THP 165	121	05/16 -
3008 SUV (M_)	2.0 BlueHDi 136	100	11/16 -
3008 SUV (M_)	2.0 BlueHDi 150	110	05/16 -
3008 SUV (M_)	2.0 BlueHDi 180	133	05/16 -
308 II	1.6 GT 205	151	06/14 -
308 II	1.6 GTi	200	06/15 -
308 II	1.6 GTi	184	08/15 -
308 II	1.6 THP	112	09/13 -
308 II	1.6 THP 150	110	03/14 -
308 II	1.6 THP 163	120	06/14 -
308 II	2.0 BlueHDi 150	110	11/13 -
308 II	2.0 GT HDi 180 / BlueHDi 180	133	06/14 -

308 SW II	1.6 GT 205	151	06/14 -
308 SW II	1.6 THP 125	92	03/14 -
308 SW II	1.6 THP 150	110	03/14 -
308 SW II	1.6 THP 155	115	03/14 -
308 SW II	1.6 VTi	85	03/14 -
308 SW II	2.0 BlueHDi 150	110	03/14 -
308 SW II	2.0 GT BlueHDi 180	132	06/17 -
308 SW II	2.0 GT HDi 180 / BlueHDi 180	133	06/14 -
5008 II	1.2	96	12/16 -
5008 II	1.6 BlueHDi 100	73	12/16 -
5008 II	1.6 BlueHDi 115	85	12/16 -
5008 II	1.6 BlueHDi 120	88	12/16 -
5008 II	1.6 THP 165	121	12/16 -
5008 II	2.0 BlueHDi 136	100	12/16 -
5008 II	2.0 BlueHDi 150	110	12/16 -
5008 II	2.0 BlueHDi 180	133	12/16 -
EXPERT Box (V_)	1.6 BlueHDi 115	85	04/16 -
EXPERT Box (V_)	1.6 BlueHDi 95	70	04/16 -
EXPERT Box (V_)	2.0 BlueHDi 120	90	04/16 -
EXPERT Box (V_)	2.0 BlueHDi 150	110	04/16 -
EXPERT Box (V_)	2.0 BlueHDi 180	130	04/16 -
TRAVELLER (V_)	1.6 BlueHDi 115	85	04/16 -
TRAVELLER (V_)	1.6 BlueHDi 95	70	04/16 -
TRAVELLER (V_)	2.0 BlueHDi 150	110	04/16 -
TRAVELLER (V_)	2.0 BlueHDi 180	130	04/16 -

TOYOTA

Model	Tip	kW	An
PROACE Box (MDZ_)	1.6 D (MDZ2_)	85	02/16 -
PROACE Box (MDZ_)	1.6 D (MDZ9_)	70	02/16 -
PROACE Box (MDZ_)	2.0 D (MDZ3_)	90	02/16 -
PROACE Box (MDZ_)	2.0 D (MDZ4_)	110	02/16 -
PROACE Box (MDZ_)	2.0 D (MDZ6_)	130	02/16 -
PROACE Bus (MPY_)	1.6 D (MPY2_)	85	02/16 -
PROACE Bus (MPY_)	1.6 D (MPY9_)	70	02/16 -

PROACE Bus (MPY_)	2.0 D (MPY4_)	110	02/16 -
PROACE Bus (MPY_)	2.0 D (MPY6_)	130	02/16 -
PROACE Platform/Chassis (MDZ_)	2.0 D (MDZ4_)	110	02/16 -
VAUXHALL			
Model	Tip	kW	An
GRANDLAND X (A18)	1.2 Turbo (75)	96	06/17 -
GRANDLAND X (A18)	1.6 Turbo D (75)	88	06/17 -
GRANDLAND X (A18)	2.0 D (75)	130	10/17 -

Coduri OE

Coduri OE compatibile	
CITROËN	1609583080
OPEL	3637360
PEUGEOT	1609583080
TOYOTA	SU001A6145