

Disc 08.N123.10

 **brembo**
AFTERMARKET

Specificații tehnice disc

Osie Posterioară

Diametru
305 mm

Înălțime totală (A)
33,1 mm

Diametru de centrare (B)
72,6 mm

Număr orificii (C)
5

Grosime (TH)
12 mm

Grosime min.
10,4 mm

Cuplu de strângere 
129 Nm

Unități per cutie
2

Cod EAN
8020584029329

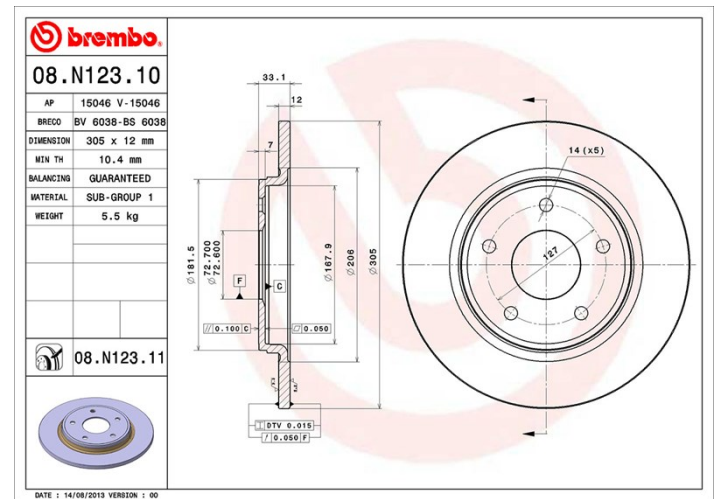


Coduri mărci

Brembo
08.N123.10

AP
15046

Breco
BS 6038



Specificații tehnice

Autovehicule compatibile

CHRYSLER

Model	Tip	kW	An
GRAND VOYAGER V (RT)	2.8 CRD	132	09/12 -
GRAND VOYAGER V (RT)	2.8 CRD	120	10/07 -
GRAND VOYAGER V (RT)	2.8 CRD	120	10/07 -
GRAND VOYAGER V (RT)	3.3	125	01/08 -
GRAND VOYAGER V (RT)	3.6	208	02/11 -
GRAND VOYAGER V (RT)	3.6	211	02/11 -
GRAND VOYAGER V (RT)	3.8	142	10/07 -

DODGE

Model	Tip	kW	An
-------	-----	----	----

JOURNEY	2.0 CRD	103	06/08 -
JOURNEY	2.4	125	01/09 -
JOURNEY	2.4	129	09/08 -
JOURNEY	2.4 ECO+	125	06/08 -
JOURNEY	2.7	136	01/09 -
JOURNEY	2.7 FLEXFUEL	136	01/09 -
JOURNEY	3.5	173	06/08 -
JOURNEY	3.5 AWD	173	06/08 -
JOURNEY	3.6	211	01/12 -
JOURNEY	3.6 AWD	206	05/13 -
NITRO	3.7	157	09/06 12/12
NITRO	3.7 4WD	157	09/06 12/12
NITRO	3.7 V6 4WD	151	06/07 12/12

FIAT

Model	Tip	kW	An
FREEMONT (345_)	2.0 JTD	100	08/11 -
FREEMONT (345_)	2.0 JTD	103	08/11 -
FREEMONT (345_)	2.0 JTD	120	08/11 -
FREEMONT (345_)	2.0 JTD	125	08/11 -
FREEMONT (345_)	2.0 JTD 4x4	120	08/11 -
FREEMONT (345_)	2.0 JTD 4x4	125	08/11 -
FREEMONT (345_)	2.4	125	08/11 -
FREEMONT (345_)	2.4	129	08/12 -

VW

Model	Tip	kW	An
ROUTAN	3.6	208	01/11 12/13
ROUTAN	3.6	196	12/10 12/13
ROUTAN	3.8	147	09/08 11/10
ROUTAN	4.0	187	09/08 11/10

Coduri OE

Coduri OE compatibile

CHRYSLER

4721677AA

CHRYSLER	4721996AA
----------	-----------

CHRYSLER	4721996AB
----------	-----------

DODGE	4721996AA
-------	-----------

FIAT	K04721996AA
------	-------------

FIAT	K04721996AB
------	-------------

VW	7B0615601A
----	------------

VW	7B0615601B
----	------------
