

# Disc 08.N249.10

 **brembo**  
AFTERMARKET

## Specificații tehnice disc

**Osie** Posterioară

**Diametru**  
328 mm

**Înălțime totală (A)**  
33,1 mm

**Diametru de centrare (B)**  
72,5 mm

**Număr orificii (C)**  
5

**Grosime (TH)**  
12 mm

**Grosime min.**  
10,4 mm

**Cuplu de strângere**   
Nm

**Unități per cutie**  
2

**Cod EAN**  
8020584219058



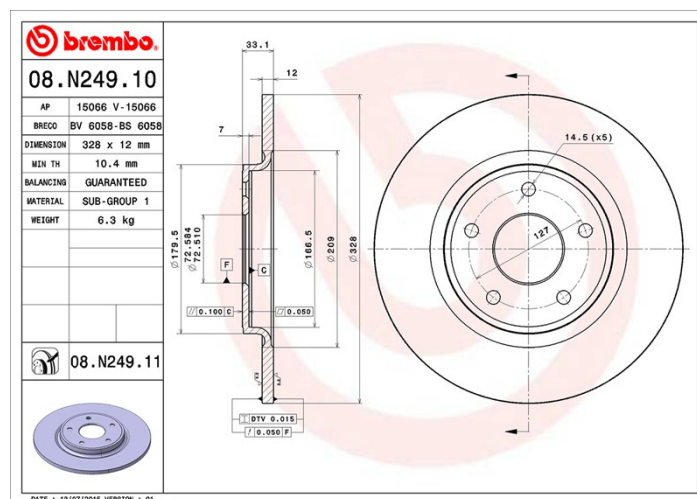


## Coduri mărci

**Brembo**  
08.N249.10

**AP**  
15066

**Breco**  
BS 6058



## Specificații tehnice

## Autovehicule compatibile

### CHRYSLER

Model	Tip	kW	An
GRAND VOYAGER V (RT)	2.8 CRD	132	09/12 -
GRAND VOYAGER V (RT)	2.8 CRD	120	10/07 -
GRAND VOYAGER V (RT)	2.8 CRD	120	10/07 -
GRAND VOYAGER V (RT)	3.6	208	02/11 -
GRAND VOYAGER V (RT)	3.6	211	02/11 -
GRAND VOYAGER V (RT)	3.8	142	10/07 -

### FIAT

Model	Tip	kW	An
FREEMONT (345_)	2.0 JTD	100	08/11 -

FREEMONT (345_)	2.0 JTD	103	08/11 -
FREEMONT (345_)	2.0 JTD	120	08/11 -
FREEMONT (345_)	2.0 JTD	125	08/11 -
FREEMONT (345_)	2.0 JTD 4x4	120	08/11 -
FREEMONT (345_)	2.0 JTD 4x4	125	08/11 -
FREEMONT (345_)	2.4	125	08/11 -
FREEMONT (345_)	2.4	129	08/12 -
FREEMONT (345_)	3.6	206	08/11 -
FREEMONT (345_)	3.6 4x4	206	08/11 -

## LANCIA

Model	Tip	kW	An
VOYAGER MPV (404_)	2.8 CRD	131	07/12 12/14
VOYAGER MPV (404_)	2.8 CRD	130	08/13 12/14
VOYAGER MPV (404_)	2.8 CRD	120	09/11 12/14
VOYAGER MPV (404_)	3.6 V6	208	09/11 12/14

## Coduri OE

### Coduri OE compatibile

CHRYSLER	04779713AA
CHRYSLER	K04779713AA
FIAT	K04779713AA
LANCIA	K04779713AA