
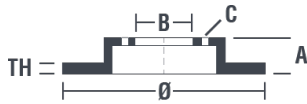


Specificații tehnice disc

Osie Anterioară	Diametru 236 mm
Înălțime totală (A) 34 mm	Diametru de centrare (B) 86 mm
Număr orificii (C) 4	Grosime (TH) 18 mm
Grosime min. 16,4 mm	Cuplu de strângere  108 Nm
Unități per cutie 2	Cod EAN 8020584500927

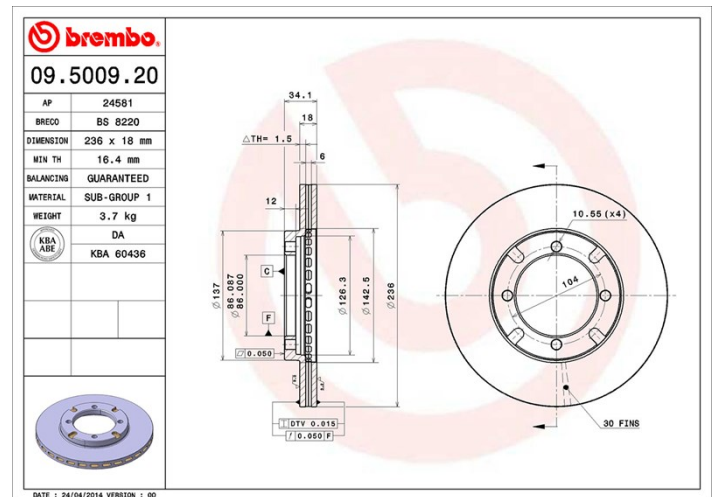


Coduri mărci

Brembo
09.5009.20

AP
24581

Breco
BS 8220



Specificații tehnice

Autovehicule compatibile

MITSUBISHI

Model	Tip	kW	An
COLT III (C5_A)	1.3 (C51A)	51	04/88 05/92
COLT III (C5_A)	1.3 12V (C51A)	55	04/88 05/92
COLT III (C5_A)	1.3 GL (C61A)	44	04/88 12/90
COLT III (C5_A)	1.5 Cat (C52A)	66	07/90 05/92
COLT III (C5_A)	1.5 GLXi (C52A)	62	04/88 05/92
COLT III (C5_A)	1.8 Diesel GLX (C54A)	44	04/88 05/92
LANCER III Station Wagon (C1_V, C3_V)	1.5 12V (C12V)	66	09/90 12/91
LANCER III Station Wagon (C1_V, C3_V)	1.8 4WD (C37V)	63	03/89 12/90
LANCER III Station Wagon (C1_V, C3_V)	1.8 4WD (C37V)	69	08/90 06/92

LANCER III Station Wagon (C1_V, C3_V)	1.8 D (C14V)	44	08/86 06/92
LANCER IV (C6_A, C7_A)	1.3 (C61A)	44	04/88 05/92
LANCER IV (C6_A, C7_A)	1.3 (C61A)	51	08/88 05/92
LANCER IV (C6_A, C7_A)	1.3 12V (C61A)	55	07/90 06/92
LANCER IV (C6_A, C7_A)	1.5	65	09/90 09/92
LANCER IV (C6_A, C7_A)	1.5 (C62A)	62	04/88 05/92
LANCER IV (C6_A, C7_A)	1.5 12V (C62A)	66	06/90 05/92
LANCER IV (C6_A, C7_A)	1.8 GLX Diesel (C64A)	44	04/88 05/92
LANCER IV Hatchback (C6_A, C7_A)	1.3 12V (C61A)	55	06/92 05/94
LANCER IV Hatchback (C6_A, C7_A)	1.5 (C62A)	62	06/88 05/92
LANCER IV Hatchback (C6_A, C7_A)	1.5 12V (C62A)	66	05/89 05/92
LANCER IV Hatchback (C6_A, C7_A)	1.6 16V (C76A, C66A)	83	06/92 05/94
LANCER IV Hatchback (C6_A, C7_A)	1.8 4WD (C77A)	71	09/89 06/92
LANCER IV Hatchback (C6_A, C7_A)	1.8 D (C64A)	44	04/88 05/92
LANCER IV Hatchback (C6_A, C7_A)	2.0 D (C67A)	50	06/92 07/93

Coduri OE

Coduri OE compatibile

EAGLE	MB618734
EAGLE	MB618735
MITSUBISHI	MB618734
MITSUBISHI	MB618735