

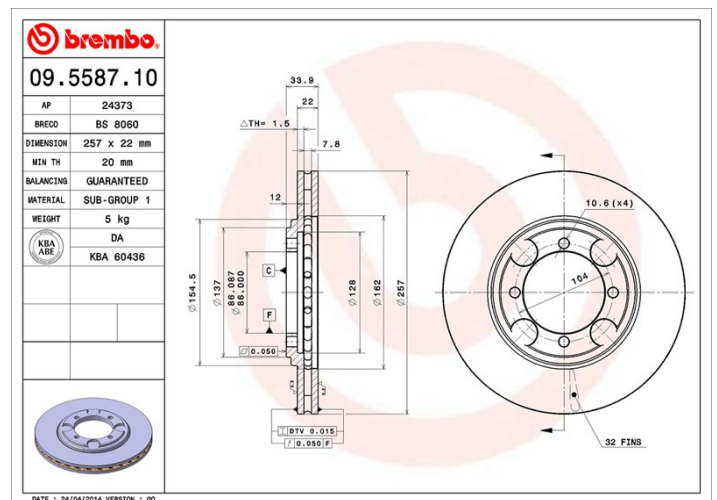
Specificații tehnice disc

Osie Anterioară	Diametru 257 mm
Înălțime totală (A) 34 mm	Diametru de centrare (B) 86 mm
Număr orificii (C) 4	Grosime (TH) 22 mm
Grosime min. 20 mm	Cuplu de strângere 100 Nm
Unități per cutie 2	Cod EAN 8020584558713



Coduri mărci

Brembo 09.5587.10	AP 24373	Breco BS 8060
-----------------------------	--------------------	-------------------------



Specificații tehnice

Autovehicule compatibile

HYUNDAI

Model	Tip	kW	An
COUPE (RD)	1.6 16V	85	03/98 04/02
COUPE (RD)	1.6 i 16V	84	12/96 04/02
COUPE (RD)	1.8 SX	94	07/96 04/02
COUPE (RD)	2.0 16V	102	08/96 04/02
LANTRA I (J-1)	1.6 i.e. 16V	78	10/90 11/95
LANTRA I (J-1)	1.6 i.e. 16V	84	10/90 11/95
LANTRA I (J-1)	1.8 i.e. 16V	93	10/90 11/95
LANTRA II (J-2)	1.5 12V	65	12/96 09/00
LANTRA II (J-2)	1.6 16V	84	11/95 09/00
LANTRA II (J-2)	1.6 i	66	11/95 09/00

LANTRA II (J-2)	1.8 16V	94	11/95 09/00
LANTRA II (J-2)	1.9 D	50	03/98 09/00
LANTRA II (J-2)	2.0	100	04/97 05/00
LANTRA II (J-2)	2.0 16V	102	08/96 09/00
LANTRA II Estate (J-2)	1.5 12V	65	04/97 10/00
LANTRA II Estate (J-2)	1.6 16V	84	02/96 10/00
LANTRA II Estate (J-2)	1.6 i	66	02/96 10/00
LANTRA II Estate (J-2)	1.8 16V	94	02/96 10/00
LANTRA II Estate (J-2)	1.9 D	50	03/98 10/00
LANTRA II Estate (J-2)	2.0	100	04/97 05/00
LANTRA II Estate (J-2)	2.0 16V	102	11/95 10/00

Coduri OE

Coduri OE compatibile

HYUNDAI

5171228300