
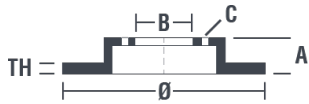


## Specificații tehnice disc

<b>Osie</b> Anterioară	<b>Diametru</b> 266 mm
<b>Înălțime totală (A)</b> 45 mm	<b>Diametru de centrare (B)</b> 69 mm
<b>Număr orificii (C)</b> 4	<b>Grosime (TH)</b> 24 mm
<b>Grosime min.</b> 22,4 mm	<b>Cuplu de strângere</b>  108 Nm
<b>Unități per cutie</b> 2	<b>Cod EAN</b> 8020584563816

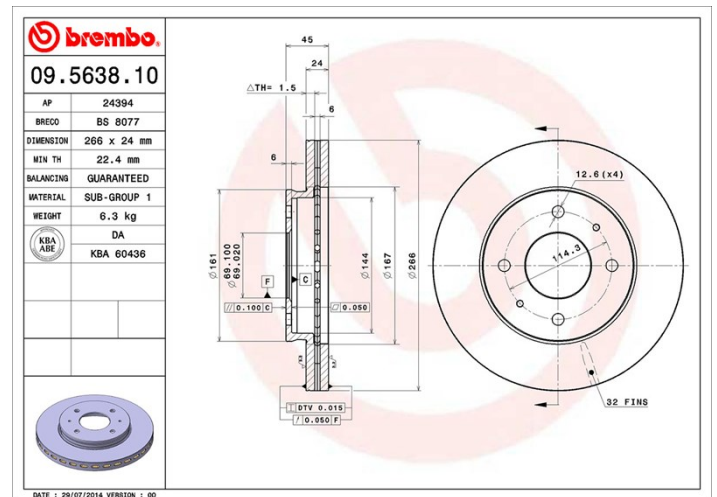


## Coduri mărci

**Brembo**  
09.5638.10

**AP**  
24394

**Breco**  
BS 8077



## Specificații tehnice

## Autovehicule compatibile

### MITSUBISHI

Model	Tip	kW	An
GALANT III (E1_A)	1.8 Turbo-D (E14A)	60	06/84 04/90
GALANT III (E1_A)	2.0 GLS (E15A)	75	06/84 04/90
GALANT III (E1_A)	2.0 GLS (E15A)	66	06/86 04/90
GALANT III (E1_A)	2.0 Turbo ECi (E15A)	110	06/84 04/90
GALANT III (E1_A)	2.4 GLS (E16A)	82	07/85 04/90
GALANT IV (E3_A)	1.8 (E32A)	66	11/88 10/92
GALANT IV (E3_A)	1.8 Turbo-D (E34A)	55	11/88 10/92
GALANT IV (E3_A)	2.0 (E39A, E38A, E33A)	77	05/89 12/92
GALANT IV (E3_A)	2.0 (E39A, E38A, E33A)	80	04/89 10/92

GALANT IV (E3_A)	2.0 4WD (E33A, E38A, E39A)	80	04/89 10/92
GALANT IV (E3_A)	2.0 GTI 16V (E39A, E38A, E33A)	106	11/88 10/92
GALANT IV (E3_A)	2.0 GTI 16V (E39A, E38A, E33A)	107	11/88 10/92
GALANT IV (E3_A)	2.0 GTI 16V 4x4 (E38A, E39A, E33A)	106	07/89 12/92
GALANT IV Saloon (E3_A)	1.8 (E32A)	63	11/87 08/90
GALANT IV Saloon (E3_A)	1.8 (E32A)	66	11/87 10/92
GALANT IV Saloon (E3_A)	1.8 Turbo-D (E34A)	55	12/87 10/92
GALANT IV Saloon (E3_A)	2.0 (E39A, E38A, E33A)	77	05/89 12/92
GALANT IV Saloon (E3_A)	2.0 (E39A, E38A, E33A)	80	11/87 10/92
GALANT IV Saloon (E3_A)	2.0 4WD (E39A, E38A, E33A)	80	12/88 10/92
GALANT IV Saloon (E3_A)	2.0 GTi 16V (E39A, E38A, E33A)	106	11/87 10/92
GALANT IV Saloon (E3_A)	2.0 GTi 16V (E39A, E38A, E33A)	107	11/88 10/92
GALANT IV Saloon (E3_A)	2.0 GTi 16V 4WD (E39A, E38A, E33A)	106	06/88 10/92
SPACE WAGON (D0_V/W)	2.0 4WD (D08W)	75	03/85 04/91
SPACE WAGON (D0_V/W)	2.0 GLX 4WD (D08W)	62	06/86 05/88
SPACE WAGON (D0_V/W)	2.0 GLXi 4WD (D08W)	74	06/88 04/91
TREDIA (A21_)	1.8 GLS 4WD	66	04/85 07/86

## Coduri OE

### Coduri OE compatibile

DODGE	MB366080
DODGE	MB366480
DODGE	MB500968
MITSUBISHI	MB366080
MITSUBISHI	MB366480
MITSUBISHI	MB500968