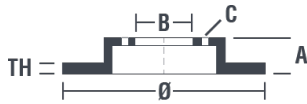


Specificații tehnice disc

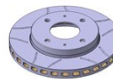
Osie Anterioară	Diametru 256 mm
Înălțime totală (A) 45,1 mm	Diametru de centrare (B) 69 mm
Număr orificii (C) 4	Grosime (TH) 24 mm
Grosime min. 22,4 mm	Cuplu de strângere  100 Nm
Unități per cutie 2	Cod EAN 8020584012215

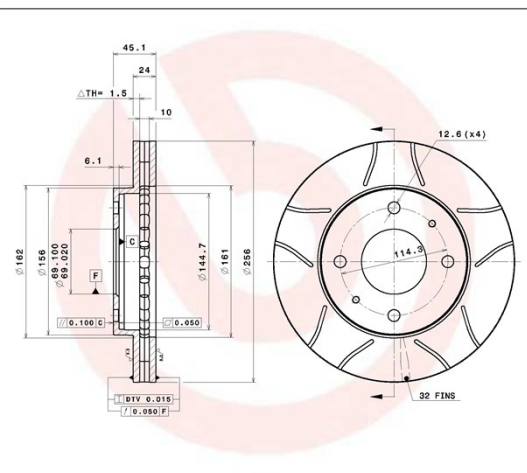


Coduri mărci

Brembo 09.5640.75	AP X 24398
-----------------------------	----------------------



brembo.	
09.5640.75	
AP	X 24398
DIMENSION	256 x 24 mm
MIN TH	22.4 mm
BALANCING	GUARANTEED
MATERIAL	SUB-GROUP 1
WEIGHT	5.2 kg
E11	90R 02001202/26128
09.5640.75	
	
DATE : 09/07/2018 VERSION : 00	



Specificații tehnice

Disc UV
Procesul de vopsire UV garantează o rezistență superioară la coroziune și o protecție completă a discului.



Autovehicule compatibile

HYUNDAI

Model	Tip	kW	An
SANTAMO	2.0	77	10/98 10/02
SANTAMO	2.0 16V	102	05/99 12/02
SANTAMO	2.0 16V 4x4	102	05/99 12/02

KIA

Model	Tip	kW	An
JOICE	2.0	102	02/00 -
JOICE	2.0	88	09/01 -

MITSUBISHI

Model	Tip	kW	An
GALANT IV (E3_A)	1.8 (E32A)	66	11/88 10/92
GALANT IV (E3_A)	1.8 Turbo-D (E34A)	55	11/88 10/92
GALANT IV (E3_A)	2.0 (E39A, E38A, E33A)	77	05/89 12/92
GALANT IV (E3_A)	2.0 (E39A, E38A, E33A)	80	04/89 10/92
GALANT IV (E3_A)	2.0 4WD (E33A, E38A, E39A)	80	04/89 10/92
GALANT IV (E3_A)	2.0 GTI 16V (E39A, E38A, E33A)	106	11/88 10/92
GALANT IV (E3_A)	2.0 GTI 16V (E39A, E38A, E33A)	107	11/88 10/92
GALANT IV (E3_A)	2.0 GTI 16V 4x4 (E38A, E39A, E33A)	106	07/89 12/92
GALANT IV Saloon (E3_A)	1.8 (E32A)	63	11/87 08/90
GALANT IV Saloon (E3_A)	1.8 (E32A)	66	11/87 10/92
GALANT IV Saloon (E3_A)	1.8 Turbo-D (E34A)	55	12/87 10/92
GALANT IV Saloon (E3_A)	2.0 (E39A, E38A, E33A)	77	05/89 12/92
GALANT IV Saloon (E3_A)	2.0 (E39A, E38A, E33A)	80	11/87 10/92
GALANT IV Saloon (E3_A)	2.0 4WD (E39A, E38A, E33A)	80	12/88 10/92
GALANT IV Saloon (E3_A)	2.0 GTi 16V (E39A, E38A, E33A)	106	11/87 10/92
GALANT IV Saloon (E3_A)	2.0 GTi 16V (E39A, E38A, E33A)	107	11/88 10/92
GALANT IV Saloon (E3_A)	2.0 GTi 16V 4WD (E39A, E38A, E33A)	106	06/88 10/92
GALANT IV Saloon (E3_A)	2.0 GTI 16V Cat 4WD (E38A, E39A, E33A)	110	09/91 10/92
SANTAMO	2.0 16V	102	05/99 12/04
SANTAMO	2.0 16V 4WD	102	05/99 12/04
SAPPORO III (E16A)	2.4 (E16A)	91	06/87 08/90
SPACE RUNNER (N1_W, N2_W)	1.8 (N11W)	85	06/96 08/99
SPACE RUNNER (N1_W, N2_W)	1.8 (N11W)	90	10/91 08/99
SPACE RUNNER (N1_W, N2_W)	1.8 4WD (N21W)	85	06/96 08/99
SPACE RUNNER (N1_W, N2_W)	1.8 4WD (N21W)	90	10/91 08/99
SPACE RUNNER (N1_W, N2_W)	2.0 16V	98	06/97 08/99
SPACE RUNNER (N1_W, N2_W)	2.0 TD (N18W)	60	10/92 08/99
SPACE WAGON (N3_W, N4_W)	1.8 (N31W)	90	10/91 10/98

SPACE WAGON (N3_W, N4_W)	1.8 4WD (N41W)	90	10/91 10/98
SPACE WAGON (N3_W, N4_W)	1.8 TD (N35W)	55	10/91 10/98
SPACE WAGON (N3_W, N4_W)	2.0 (N33W)	98	10/92 10/98
SPACE WAGON (N3_W, N4_W)	2.0 4WD (N43W)	98	10/92 10/98
SPACE WAGON (N3_W, N4_W)	2.0 TD (N38W)	60	10/92 10/98
SPACE WAGON (N3_W, N4_W)	2.4 i (N34W)	102	10/92 10/98

Coduri OE

Coduri OE compatibile

DODGE	MB668107
DODGE	MB928995
HYUNDAI	51712M2000
KIA	51712M2000
MITSUBISHI	MB407639
MITSUBISHI	MB668107
MITSUBISHI	MB928995