

Specificații tehnice disc

Osie Anterioară

Diametru
276 mm

Înălțime totală (A)
56,8 mm

Diametru de centrare (B)
58 mm

Număr orificii (C)
5

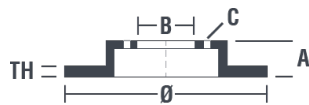
Grosime (TH)
24 mm

Grosime min.
22,5 mm

Cuplu de strângere
100 Nm

Unități per cutie
2

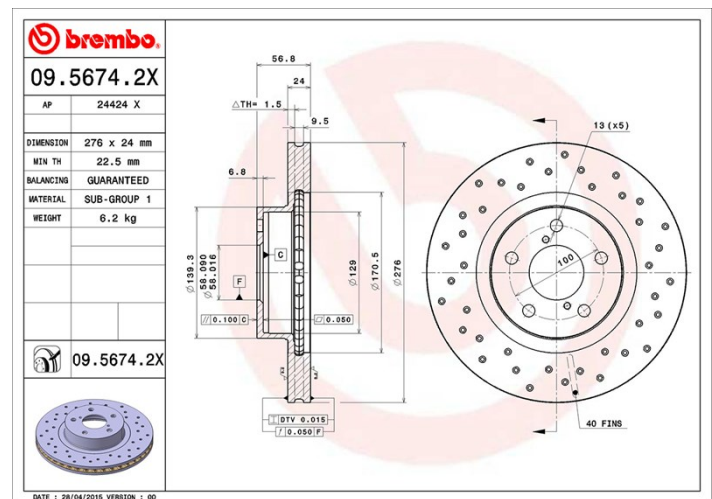
Cod EAN
8020584212400



Coduri mărci

Brembo
09.5674.2X

AP
24424 X



Specificații tehnice

Disc UV

Procesul de vopsire UV garantează o rezistență superioară la coroziune și o protecție completă a discului.



Autovehicule compatibile

SUBARU

Model	Tip	kW	An
BRZ	2.0	147	06/12 -
FORESTER (SF_)	2.0 AWD (SF5)	92	06/98 09/02
FORESTER (SF_)	2.0 AWD (SF5)	90	08/97 09/02
FORESTER (SF_)	2.0 S Turbo AWD (SF5)	130	04/01 09/02
FORESTER (SF_)	2.0 S Turbo AWD (SF5)	125	06/98 04/01
FORESTER (SF_)	2.5 AWD	123	07/97 05/02
FORESTER (SG_)	2.0 AWD	92	06/02 05/05

FORESTER (SG_)	2.0 S Turbo AWD	130	09/02 05/05
FORESTER (SG_)	2.0 X AWD	116	06/05 05/08
FORESTER (SH_)	2.0 AWD	110	01/08 09/13
FORESTER (SH_)	2.0 AWD	110	01/10 -
IMPREZA Coupe (GFC)	2.0 Turbo AWD	155	12/96 12/00
IMPREZA Estate (GF)	2.0 i Turbo AWD (GF8)	155	03/94 12/00
IMPREZA Estate (GF)	2.0 Turbo GT AWD (GF8)	160	06/98 12/00
IMPREZA Estate (GG)	2.0 AWD	92	12/00 12/07
IMPREZA Estate (GG)	2.0 i R AWD (GG9)	118	09/05 06/07
IMPREZA Estate (GG)	2.2	94	06/01 08/05
IMPREZA Estate (GG)	2.5 AWD	112	12/02 09/05
IMPREZA Hatchback (GP_)	1.6 i (GP2)	84	06/12 09/16
IMPREZA Hatchback (GP_)	1.6 i AWD	84	06/12 -
IMPREZA Hatchback (GR, GH, G3)	1.5 AWD	79	02/08 03/12
IMPREZA Hatchback (GR, GH, G3)	1.5 F	79	02/08 03/12
IMPREZA Hatchback (GR, GH, G3)	2.0 R AWD (GH7)	110	01/08 03/12
IMPREZA Saloon (GC)	2.0 Turbo GT AWD (GC8)	155	03/94 12/00
IMPREZA Saloon (GC)	2.0 Turbo GT AWD (GC8)	160	06/98 12/00
IMPREZA Saloon (GD)	2.0 i AWD (GD9)	92	12/00 06/09
IMPREZA Saloon (GD)	2.0 i R AWD (GD9)	118	09/05 03/07
IMPREZA Saloon (GD)	2.2	94	06/01 08/05
IMPREZA Saloon (GJ_)	1.6 AWD	85	01/15 -
IMPREZA Saloon (GJ_)	2.0 AWD (GJ7)	110	07/11 -
IMPREZA Saloon (GR)	1.5	79	02/08 -
IMPREZA Saloon (GR)	1.5 AWD	79	02/08 -
IMPREZA Saloon (GR)	2.0 i AWD	110	01/11 -
LEGACY I (BC)	2000 Turbo 4WD (BC5)	147	05/92 07/94
LEGACY I Estate (BC, BJF)	2000 Turbo Super 4WD	147	05/92 07/94
LEGACY II (BD)	2.5 i 4WD	110	06/96 03/99
LEGACY II Estate (BG)	2.5 i 4WD	110	06/96 11/98
LEGACY III (BE)	2.0 AWD (BE5)	92	04/99 08/03

LEGACY III (BE)	2.5 AWD (BE9)	115	10/98 08/03
LEGACY III Estate (BH)	2.0 AWD (BH5)	92	12/98 08/03
LEGACY III Estate (BH)	2.5 AWD (BH9)	115	12/98 08/03
LEGACY IV (BL)	2.0 AWD (BL5)	101	09/03 10/05
LEGACY IV (BL)	2.0 R AWD	110	09/07 12/09
LEGACY IV (BL)	2.5 AWD (BL9)	121	09/03 04/09
LEGACY IV (BL)	2.5 i AWD (BL9)	127	09/07 12/09
LEGACY IV Estate (BP)	2.0 AWD (BP5)	121	06/05 04/09
LEGACY IV Estate (BP)	2.0 AWD (BP5)	101	09/03 10/05
LEGACY IV Estate (BP)	2.0 R AWD	110	09/07 12/09
LEGACY IV Estate (BP)	2.5 AWD (BP9)	121	09/03 04/09
LEGACY IV Estate (BP)	2.5 i AWD	127	01/08 12/09
LEGACY OUTBACK (BG)	2.5 (BG9)	110	01/96 12/99
LEGACY V (BM)	2.0 i AWD	110	09/09 12/14
LEGACY V (BM)	2.0 i LPG AWD	108	09/09 12/11
LEGACY V (BM)	2.5 i AWD	127	07/12 12/14
LEGACY V (BM)	2.5 i AWD (BM9)	123	09/09 12/14
LEGACY V Estate (BR)	2.0 i AWD	110	06/12 12/14
LEGACY V Estate (BR)	2.0 i AWD	110	09/09 12/14
LEGACY V Estate (BR)	2.0 i LPG AWD	108	09/09 12/11
LEGACY V Estate (BR)	2.5 i AWD (BR9)	123	09/09 12/14
LEGACY V Estate (BR)	2.5 i AWD (BRM)	127	07/12 12/14
OUTBACK (BE, BH)	2.5 AWD (BH9)	115	10/00 08/03
OUTBACK (BL, BP)	2.0 AWD	101	09/03 10/05
OUTBACK (BL, BP)	2.0 D AWD	110	09/08 09/09
OUTBACK (BR)	2.5 i AWD	125	01/13 -
TOYOTA			
Model	Tip	kW	An
GT 86 Coupe (ZN6_)	2.0 (ZN6AC_, ZN6BC_)	147	03/12 -

Coduri OE

Coduri OE compatibile

SUBARU	26300AE050
SUBARU	26300AE070
SUBARU	26300AE071
SUBARU	26310AA081
SUBARU	26310AA091
SUBARU	26310AA092
SUBARU	26310AA120
SUBARU	26310AA121
SUBARU	26310AA151
TOYOTA	SU00300585