

# Disc 09.5749.11

**brembo**  
AFTERMARKET

## Specificații tehnice disc

**Osie** Anterioară

**Diametru**  
296 mm

**Înălțime totală (A)**  
58,3 mm

**Diametru de centrare (B)**  
70 mm

**Număr orificii (C)**  
5

**Grosime (TH)**  
28 mm

**Grosime min.**  
25 mm

**Cuplu de strângere**   
110 Nm

**Unități per cutie**  
2

**Cod EAN**  
8020584022788

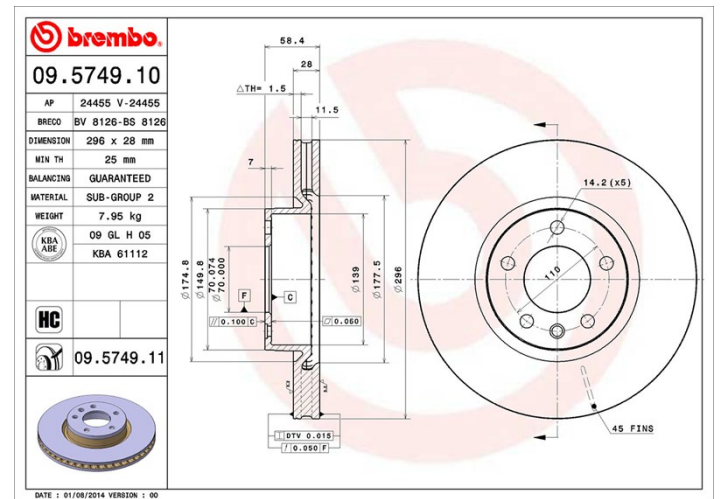


## Coduri mărci

**Brembo**  
09.5749.11

**AP**  
24455 V

**Breco**  
BV 8126



## Specificații tehnice

### Disc High Carbon (HC)

Datorită procentului ridicat de carbon din compoziția chimică a fontei, discul HC oferă un coeficient de amortizare superior, capabil să reducă vibrațiile și nivelul de zgomot în timpul condusului.

**HC**

### Disc UV

Procesul de vopsire UV garantează o rezistență superioară la coroziune și o protecție completă a discului.



## Autovehicule compatibile

OPEL			
Model	Tip	kW	An
OMEGA A (V87)	2.6 i (F19, M19, N19)	110	09/90 03/94
OMEGA A (V87)	3.0 (3000) (F19, M19, N19)	130	03/87 09/90
OMEGA A (V87)	3.0 (3000) (F19, M19, N19)	115	03/87 12/87
OMEGA A (V87)	3.0 (3000) Cat (F19, M19, N19)	130	03/88 03/94
OMEGA A (V87)	3.0 24V (3000) (F19, M19, N19)	147	09/89 03/94

OMEGA A (V87)	3.0 24V (3000) (F19, M19, N19)	150	09/89 03/94
OMEGA A (V87)	3.0 24V Evolution500 (F19, M19, N19)	169	03/91 07/92
OMEGA A Estate (V87)	2.6 (F35, M35)	135	09/87 04/94
OMEGA A Estate (V87)	2.6 i (F35, M35)	110	09/90 03/94
OMEGA A Estate (V87)	3.0 (F35, M35)	115	03/87 03/94
OMEGA A Estate (V87)	3.0 (F35, M35)	130	03/87 09/90
OMEGA A Estate (V87)	3.0 24V (F35, M35)	147	09/89 03/94
OMEGA A Estate (V87)	3.0 24V Omega 3000 (F35, M35)	150	09/88 04/94
OMEGA A Estate (V87)	3.0 Cat (F35, M35)	130	03/87 03/94
OMEGA B (V94)	2.0 (F69, M69, P69)	85	03/94 09/99
OMEGA B (V94)	2.0 (F69, M69, P69)	85	03/94 12/00
OMEGA B (V94)	2.0 (F69, M69, P69)	90	05/94 05/99
OMEGA B (V94)	2.0 16V (F69, M69, P69)	100	03/94 09/99
OMEGA B (V94)	2.0 DTI 16V (F69, M69, P69)	74	09/97 09/00
OMEGA B (V94)	2.2 16V (F69, M69, P69)	106	09/99 07/03
OMEGA B (V94)	2.2 DTI 16V (F69, M69, P69)	81	09/00 07/03
OMEGA B (V94)	2.2 DTI 16V (F69, M69, P69)	88	09/00 07/03
OMEGA B (V94)	2.5 D (F69, M69, P69)	96	05/94 05/99
OMEGA B (V94)	2.5 DTI (F69, M69, P69)	110	09/01 07/03
OMEGA B (V94)	2.5 TD (F69, M69, P69)	96	04/94 07/03
OMEGA B (V94)	2.5 V6 (F69, M69, P69)	125	03/94 09/00
OMEGA B (V94)	2.6 V6 (F69, M69, P69)	132	09/00 07/03
OMEGA B (V94)	3.0 V6 (F69, M69, P69)	155	04/94 02/01
OMEGA B (V94)	3.2 V6 (F69, M69, P69)	160	02/01 07/03
OMEGA B Estate (V94)	2.0 (F35, M35, P35)	85	03/94 09/99
OMEGA B Estate (V94)	2.0 (F35, M35, P35)	90	05/94 05/99
OMEGA B Estate (V94)	2.0 16V (F35, M35, P35)	100	03/94 09/99
OMEGA B Estate (V94)	2.0 DTI 16V (F35, M35, P35)	74	09/97 09/00
OMEGA B Estate (V94)	2.2 16V (F35, M35, P35)	106	09/99 07/03
OMEGA B Estate (V94)	2.2 DTI 16V (F35, M35, P35)	81	09/00 07/03
OMEGA B Estate (V94)	2.2 DTI 16V (F35, M35, P35)	88	09/00 07/03

OMEGA B Estate (V94)	2.5 DTI (F35, M35, P35)	110	09/01 07/03
OMEGA B Estate (V94)	2.5 TD (F35, M35, P35)	96	04/94 07/01
OMEGA B Estate (V94)	2.5 V6 (F35, M35, P35)	125	03/94 09/00
OMEGA B Estate (V94)	2.6 (F35, M35, P35)	138	05/94 05/99
OMEGA B Estate (V94)	2.6 V6 (F35, M35, P35)	132	09/00 07/03
OMEGA B Estate (V94)	3.0 V6 (F35, M35, P35)	155	04/94 02/01
OMEGA B Estate (V94)	3.2 V6 (F35, M35, P35)	160	02/01 07/03
SENATOR B (V88)	2.5 i (P19)	103	09/90 09/93
SENATOR B (V88)	2.6 i (P19)	110	09/90 09/93
SENATOR B (V88)	3.0 (P19)	130	01/88 09/90
SENATOR B (V88)	3.0 (P19)	115	09/87 09/93
SENATOR B (V88)	3.0 24V (P19)	150	09/89 09/93
SENATOR B (V88)	3.0 i Cat (P19)	130	01/88 09/93
<b>VAUXHALL</b>			
Model	Tip	kW	An
CARLTON Mk III Estate (V87)	2.6 i	110	09/90 03/94
CARLTON Mk III Estate (V87)	3.0	130	03/87 03/94
CARLTON Mk III Estate (V87)	3.0 24V	147	09/89 03/94
CARLTON Mk III Saloon (V87)	2.6 i	110	09/90 03/94
CARLTON Mk III Saloon (V87)	3.0 3000	130	03/87 09/90
CARLTON Mk III Saloon (V87)	3.0 3000 24V	150	09/89 03/94
CARLTON Mk III Saloon (V87)	3000 24V	147	09/89 03/94
CARLTON Mk III Saloon (V87)	3000 Cat	130	03/88 03/94
OMEGA (B) Estate (V94)	2.0	85	03/94 09/99
OMEGA (B) Estate (V94)	2.0 16V	100	03/94 07/01
OMEGA (B) Estate (V94)	2.0 DTI 16V	74	01/98 09/00
OMEGA (B) Estate (V94)	2.2 16V	106	02/94 06/03
OMEGA (B) Estate (V94)	2.2 DTI 16V	88	08/00 06/03
OMEGA (B) Estate (V94)	2.5 TD	96	04/94 07/01
OMEGA (B) Estate (V94)	2.5 V6	125	03/94 09/00
OMEGA (B) Estate (V94)	2.6 V6	132	08/00 06/03
OMEGA (B) Estate (V94)	3.0 V6	155	07/94 07/00

OMEGA (B) Estate (V94)	3.2 V6	160	02/01 06/03
OMEGA (B) Saloon (V94)	2.0	85	03/94 09/99
OMEGA (B) Saloon (V94)	2.0	85	09/95 09/96
OMEGA (B) Saloon (V94)	2.0 16V	100	03/94 07/01
OMEGA (B) Saloon (V94)	2.0 DTI 16V	74	01/98 09/00
OMEGA (B) Saloon (V94)	2.2 16V	106	01/94 06/03
OMEGA (B) Saloon (V94)	2.2 DTI 16V	88	08/00 07/03
OMEGA (B) Saloon (V94)	2.5 TD	96	04/94 07/01
OMEGA (B) Saloon (V94)	2.5 V6	125	03/94 09/00
OMEGA (B) Saloon (V94)	2.6 V6	132	08/00 07/03
OMEGA (B) Saloon (V94)	3.0 V6	155	04/94 07/00
OMEGA (B) Saloon (V94)	3.2 V6	160	02/01 07/03
SENATOR Mk II (B) (V88)	2.5 i	103	09/87 10/90
SENATOR Mk II (B) (V88)	2.6 i	110	09/90 09/93
SENATOR Mk II (B) (V88)	3.0	130	01/88 09/90
SENATOR Mk II (B) (V88)	3.0	135	09/87 08/88
SENATOR Mk II (B) (V88)	3.0 24V	150	09/89 09/93
SENATOR Mk II (B) (V88)	3.0 i Cat	130	01/88 09/93

## Coduri OE

### Coduri OE compatibile

OPEL	569016
OPEL	569044
VAUXHALL	569016
VAUXHALL	569044
VAUXHALL	90344650
VAUXHALL	90392559