



BRAKE DISC

09.5914.10

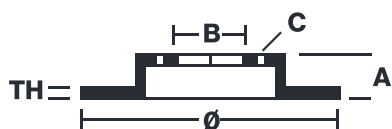
The **09.5914.10** brake disc is synonymous with **reliability**

The Brembo brake disc is fully interchangeable with an Original Equipment brake disc. The control of the entire production cycle allows Brembo to offer brake discs with outstanding performance levels, reliability, durability and comfort in all conditions of use. All Brembo brake discs are accompanied by the ECE-R90 homologation.

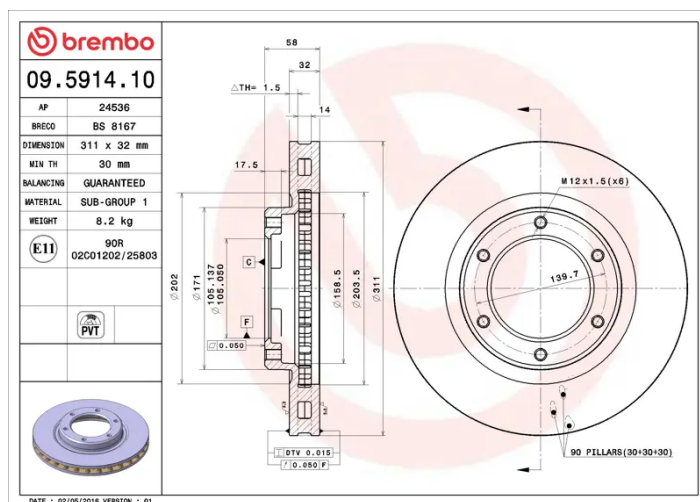
- ✓ OE-equivalent
- ✓ Brembo quality
- ✓ ECE-R90 certificate
- ✓ Safety
- ✓ PVT ventilation



Technical specifications



EAN code 8020584591413	Axle Front	Diameter Ø 311 mm
Thickness (TH) 32 mm	Height (A) 58 mm	Number of holes (C) 6
Brake disc type Ventilated	Centering (B) 105 mm	Min. thickness 30 mm
Tightening torque 112 Nm		



COMPATIBLE VEHICLES

COMPATIBLE OE PART NUMBERS

4351260090	LEXUS
4351260090	TOYOTA