

Specificații tehnice disc

Osie Anterioară	Diametru 255 mm
Înălțime totală (A) 49,2 mm	Diametru de centrare (B) 55 mm
Număr orificii (C) 5	Grosime (TH) 28 mm
Grosime min. 27 mm	Cuplu de strângere 103 Nm
Unități per cutie 2	Cod EAN 8020584674215

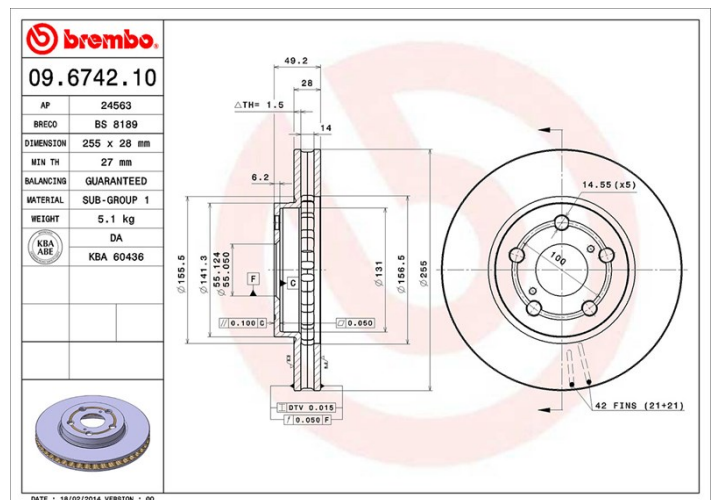


Coduri mărci

Brembo
09.6742.10

AP
24563

Breco
BS 8189



Specificații tehnice

Autovehicule compatibile

TOYOTA

Model	Tip	kW	An
CARINA E (_T19_)	1.6 (AT190)	73	12/93 09/97
CARINA E (_T19_)	1.6 (AT190)	85	12/93 09/97
CARINA E (_T19_)	1.6 16V (AT190_)	78	10/95 09/97
CARINA E (_T19_)	1.6 GLI (AT190)	79	04/92 09/97
CARINA E (_T19_)	1.8 (AT191)	79	01/95 09/97
CARINA E (_T19_)	2.0 D (CT190)	54	04/92 01/96
CARINA E (_T19_)	2.0 TD (CT190)	61	01/96 09/97
CARINA E Saloon (_T19_)	1.6 (AT190)	79	01/93 09/97
CARINA E Saloon (_T19_)	1.6 (AT190)	73	01/95 09/97
CARINA E Saloon (_T19_)	1.6 (AT190)	78	10/95 09/97

CARINA E Saloon (_T19_)	1.6 16V (AT190_)	85	12/94 09/97
CARINA E Saloon (_T19_)	1.8 i 16V (AT191)	79	01/95 09/97
CARINA E Saloon (_T19_)	2.0 D (CT190)	54	08/92 01/96
CARINA E Saloon (_T19_)	2.0 TD (CT190_)	61	01/96 09/97
CARINA E Sportswagon (_T19_)	1.6	85	04/92 09/97
CARINA E Sportswagon (_T19_)	1.6 GLI (AT190_)	79	01/93 09/97
CARINA E Sportswagon (_T19_)	1.6 i (AT190_)	73	02/95 09/97
CARINA E Sportswagon (_T19_)	1.8 i (AT191_)	79	02/95 09/97
CARINA E Sportswagon (_T19_)	2.0 D (CT190_)	54	01/93 01/96
CARINA E Sportswagon (_T19_)	2.0 TD (CT190_)	61	01/96 09/97

Coduri OE

Coduri OE compatibile

TOYOTA

4351205010