



BRAKE DISC

09.6748.10

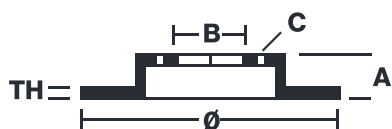
The **09.6748.10** brake disc is synonymous with reliability

The Brembo brake disc is fully interchangeable with an Original Equipment brake disc. The control of the entire production cycle allows Brembo to offer brake discs with outstanding performance levels, reliability, durability and comfort in all conditions of use. All Brembo brake discs are accompanied by the ECE-R90 homologation.

- ✓ OE-equivalent
- ✓ Brembo quality
- ✓ ECE-R90 certificate
- ✓ Safety
- ✓ Fastening screws



Technical specifications



EAN code
8020584674819

Axle
Front

Diameter Ø
234 mm

Thickness (TH)
18 mm

Height (A)
47 mm

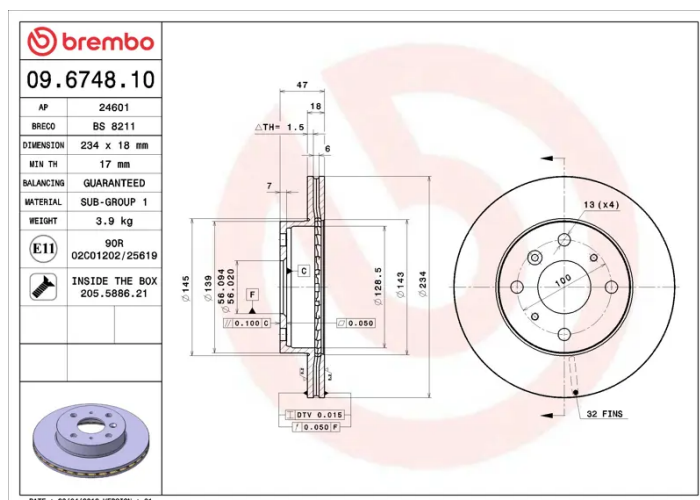
Number of holes (C)
4

Brake disc type
Ventilated

Centering (B)
56 mm

Min. thickness
17 mm

Tightening torque
103 Nm



COMPATIBLE VEHICLES

COMPATIBLE OE PART NUMBERS

4240387705	DAIHATSU
------------	----------

4240387705000	DAIHATSU
---------------	----------

4351287710	DAIHATSU
------------	----------

4351287710000	DAIHATSU
---------------	----------

4351287718	DAIHATSU
------------	----------

4351287718000	DAIHATSU
---------------	----------

4351287723	DAIHATSU
------------	----------

4351287723000	DAIHATSU
---------------	----------

4351287724	DAIHATSU
------------	----------

4351287725	DAIHATSU
------------	----------

4351287725000	DAIHATSU
---------------	----------