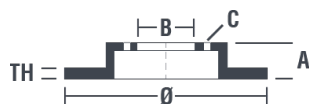


Specificații tehnice disc

Osie Anterioară	Diametru 278 mm
Înălțime totală (A) 52 mm	Diametru de centrare (B) 70,5 mm
Număr orificii (C) 5	Grosime (TH) 32 mm
Grosime min. 30,7 mm	Cuplu de strângere Nm
Unități per cutie 2	Cod EAN 8020584014004

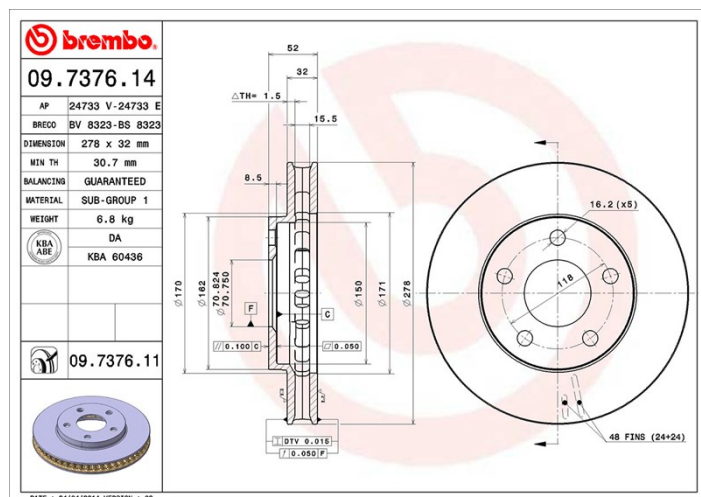


Coduri mărci

Brembo
09.7376.14

AP
24733 E

Breco
BS 8323



Specificații tehnice

Autovehicule compatibile

BUICK			
Model	Tip	kW	An
CENTURY Saloon	3.1	130	10/96 02/05
LESABRE	3.8	153	01/99 -
REGAL (4WF_)	3.8	149	10/02 09/04
REGAL (4WF_)	3.8	153	10/97 10/04
BUICK (SGM)			
Model	Tip	kW	An
GL8 I MPV (CU1)	2.5	112	11/05 11/10
REGAL I	2.0	91	02/03 12/08
REGAL I	2.5	112	12/02 12/08

REGAL I	3.0	126	10/02 05/06
CHEVROLET			
Model	Tip	kW	An
TRANS SPORT	3.4	137	08/96 09/05
TRANS SPORT	3.4 V6	138	10/00 09/05
TRANS SPORT	3.4 V6 AWD	138	10/01 09/05
OPEL			
Model	Tip	kW	An
SINTRA (APV)	2.2 DTI	85	07/97 04/99
SINTRA (APV)	2.2 i 16V (OUN16, Y94)	104	11/96 04/99
SINTRA (APV)	3.0 i 24V (OUN16, Y94)	148	11/96 04/99
PONTIAC			
Model	Tip	kW	An
BONNEVILLE Saloon	3.8 V6	123	09/86 12/91
BONNEVILLE Saloon	3.8 V6	149	09/91 12/99
GRAND PRIX VI Coupe	3.8 GT Power	179	07/96 12/03
GRAND PRIX VI Saloon	3.8	145	07/96 07/99
GRAND PRIX VI Saloon	3.8	149	08/99 12/03
GRAND PRIX VI Saloon	3.8 GT Power	179	07/96 12/03
TRANS SPORT	3.4	134	03/97 09/98
TRANS SPORT	3.4	137	09/98 12/99
VAUXHALL			
Model	Tip	kW	An
SINTRA (APV)	2.2 DTI	85	07/97 04/99
SINTRA (APV)	2.2 i 16 V	104	11/96 04/99
SINTRA (APV)	3.0 i 24V	148	11/96 04/99

Coduri OE

Coduri OE compatibile	
BUICK	18021359
BUICK	18060233
CHEVROLET	18021359
CHEVROLET	18060233

OLDSMOBILE	18021359
------------	----------

OLDSMOBILE	18060233
------------	----------

OPEL	569019
------	--------

OPEL	569057
------	--------

PONTIAC	18021359
---------	----------

PONTIAC	18060233
---------	----------

VAUXHALL	569057
----------	--------

VAUXHALL	90542181
----------	----------
