

Disc 09.7806.75

brembo
AFTERMARKET

Specificații tehnice disc

Osie Anterioară

Diametru
258 mm

Înălțime totală (A)
43,5 mm

Diametru de centrare (B)
63,6 mm

Număr orificii (C)
4

Grosime (TH)
22 mm

Grosime min.
20 mm

Cuplu de strângere 
85 Nm

Unități per cutie
2

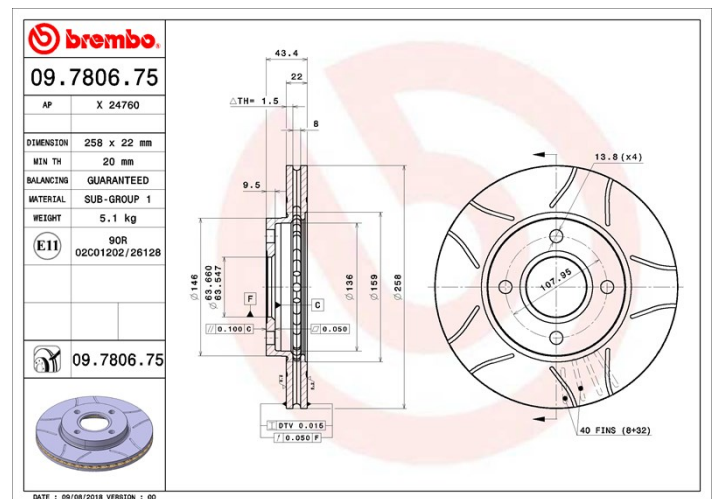
Cod EAN
8020584011461



Coduri mărci

Brembo
09.7806.75

AP
X 24760



Specificații tehnice

Disc UV

Procesul de vopsire UV garantează o rezistență superioară la coroziune și o protecție completă a discului.



Autovehicule compatibile

FORD

Model	Tip	kW	An
FIESTA Box (J5_, J3_)	1.3	44	02/96 08/03
FIESTA Box (J5_, J3_)	1.8 D	44	02/96 04/02
FIESTA Box (J5_, J3_)	1.8 DI	55	09/00 08/03
FIESTA Box (JV_)	D 1.8	44	05/98 04/02
FIESTA Box (JV_)	TD 1.8	55	03/00 08/03
FIESTA IV (JA_, JB_)	1.0 i	48	09/99 01/02
FIESTA IV (JA_, JB_)	1.25 i 16V	55	08/95 01/02

FIESTA IV (JA_, JB_)	1.3 i	37	08/95 01/02
FIESTA IV (JA_, JB_)	1.3 i	44	08/95 01/02
FIESTA IV (JA_, JB_)	1.4 i 16V	66	04/96 01/02
FIESTA IV (JA_, JB_)	1.6 16V Sport	76	02/00 01/02
FIESTA IV (JA_, JB_)	1.8 D	44	08/95 04/00
FIESTA IV (JA_, JB_)	1.8 DI	55	04/00 01/02
FIESTA V (JH_, JD_)	1.25 16V	51	03/03 06/08
FIESTA V (JH_, JD_)	1.25 16V	55	05/02 06/08
FIESTA V (JH_, JD_)	1.3	44	11/01 06/08
FIESTA V (JH_, JD_)	1.3	51	11/01 06/08
FIESTA V (JH_, JD_)	1.4 16V	59	11/01 06/08
FIESTA V (JH_, JD_)	1.4 TDCi	50	11/01 06/08
FIESTA V (JH_, JD_)	1.6 16V	74	11/01 06/08
FIESTA V (JH_, JD_)	1.6 TDCi	66	11/04 06/08
FIESTA V Van	1.3	51	10/03 07/05
FIESTA V Van	1.4 TDCi	50	10/03 12/10
FIESTA V Van	1.6 TDCi	66	04/07 09/09
FOCUS (DAW, DBW)	1.4 16V	55	10/98 11/04
FOCUS (DAW, DBW)	1.6 16V	74	10/98 11/04
FOCUS (DAW, DBW)	1.6 16V Flexifuel	75	01/02 11/04
FOCUS (DAW, DBW)	1.8 16V	85	10/98 11/04
FOCUS (DAW, DBW)	1.8 DI / TDDi	55	08/99 11/04
FOCUS (DAW, DBW)	1.8 TDCi	85	03/01 11/04
FOCUS (DAW, DBW)	1.8 TDCi	74	08/02 11/04
FOCUS (DAW, DBW)	1.8 Turbo DI / TDDi	66	10/98 11/04
FOCUS (DAW, DBW)	2.0 16V	96	10/98 11/04
FOCUS Saloon (DFW)	1.4 16V	55	02/99 11/04
FOCUS Saloon (DFW)	1.6 16V	74	02/99 11/04
FOCUS Saloon (DFW)	1.8 16V	85	02/99 11/04
FOCUS Saloon (DFW)	1.8 TDCi	85	03/01 11/04
FOCUS Saloon (DFW)	1.8 TDCi	74	08/02 11/04

FOCUS Saloon (DFW)	1.8 Turbo DI / TDDi	66	02/99 11/04
FOCUS Saloon (DFW)	1.8 Turbo DI / TDDi	55	08/01 03/05
FOCUS Saloon (DFW)	2.0 16V	96	02/99 11/04
FOCUS Turnier (DNW)	1.4 16V	55	02/99 11/04
FOCUS Turnier (DNW)	1.6 16V	74	02/99 11/04
FOCUS Turnier (DNW)	1.6 16V Flexifuel	75	01/02 11/04
FOCUS Turnier (DNW)	1.8 16V	85	02/99 11/04
FOCUS Turnier (DNW)	1.8 BiFuel	82	02/03 01/05
FOCUS Turnier (DNW)	1.8 DI / TDDi	55	08/99 11/04
FOCUS Turnier (DNW)	1.8 TDCi	85	03/01 11/04
FOCUS Turnier (DNW)	1.8 TDCi	74	08/02 11/04
FOCUS Turnier (DNW)	1.8 Turbo DI / TDDi	66	02/99 11/04
FOCUS Turnier (DNW)	2.0 16V	96	02/99 11/04
FUSION (JU_)	1.25	55	08/04 12/12
FUSION (JU_)	1.4	59	08/02 12/12
FUSION (JU_)	1.4 LPG	59	01/10 12/12
FUSION (JU_)	1.4 TDCi	50	08/02 12/12
FUSION (JU_)	1.6	74	08/02 11/08
FUSION (JU_)	1.6 TDCi	66	11/04 12/12
KA (RB_)	1.6 i	70	02/01 11/08
KA (RB_)	1.6 i	71	11/05 09/08
PUMA (EC_)	1.4 16V	66	11/97 10/00
PUMA (EC_)	1.6 16V	76	08/00 06/02
PUMA (EC_)	1.7 16V	92	03/97 06/02
PUMA (EC_)	Racing ST 160	114	06/99 06/02
STREET KA (RL2)	1.6	70	05/03 07/05
MAZDA			
Model	Tip	kW	An
121 III (JASM, JBSM)	1.25	55	03/96 04/03
121 III (JASM, JBSM)	1.3	37	03/96 04/03
121 III (JASM, JBSM)	1.3	44	03/96 04/03
121 III (JASM, JBSM)	1.8 D	44	03/96 04/03

2 (DY)	1.2	55	02/03 06/07
2 (DY)	1.25	55	04/03 06/07
2 (DY)	1.3 L	67	04/03 06/07
2 (DY)	1.4	59	02/03 06/07
2 (DY)	1.4	59	04/03 06/07
2 (DY)	1.4 CD	50	04/03 06/07
2 (DY)	1.5	82	04/03 06/07
2 (DY)	1.6	74	02/03 06/07
2 (DY)	1.6	74	04/03 06/07

Coduri OE

Coduri OE compatibile

FORD	1148202
FORD	1320585
FORD	1323620
FORD	1499045
FORD	1522230
FORD	1808479
FORD	3049893
FORD	3555344
FORD	3573537
FORD	4077455
MAZDA	DD323325X
MAZDA	DD593325X
MAZDA	DD593325XA
MAZDA	DD593325XB
MAZDA	DD593325XC
MAZDA	DD633325X
MAZDA	DD633325XA