



# BRAKE DISC MAX

## 09.8655.75

The 09.8655.75 Max brake disc is synonymous with reliability

The Brembo Max brake disc features grooves on the braking surface. The special shape of the grooves generates greater fading resistance and constant renewal of friction material, quickly restoring optimum braking conditions. The UV paint completes the sporty look.

- ✓ Brembo quality
- ✓ ECE-R90 certificate
- ✓ Performance
- ✓ Sports driving
- ✓ Sporty look
- ✓ High carbon
- ✓ Anti-corrosion



### Technical specifications



EAN code  
**8020584013618**

Axle  
**Front**

Diameter Ø  
**276 mm**

Thickness (TH)  
**22 mm**

Height (A)  
**44 mm**

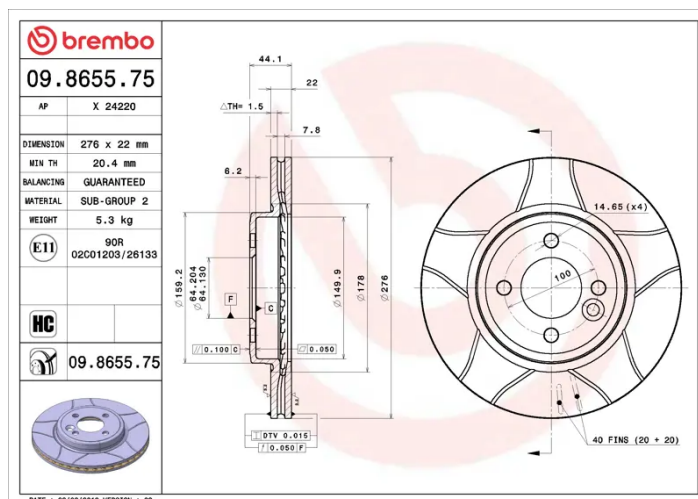
Number of holes (C)  
**4**

Brake disc type  
**Ventilated**

Centering (B)  
**64 mm**

Min. thickness  
**20,4 mm**

Tightening torque  
**120 Nm**



COMPATIBLE VEHICLES

# COMPATIBLE OE PART NUMBERS

34111502891

MINI

---