



BRAKE DISC

09.8840.10

The **09.8840.10** brake disc is synonymous with reliability

The Brembo brake disc is fully interchangeable with an Original Equipment brake disc. The control of the entire production cycle allows Brembo to offer brake discs with outstanding performance levels, reliability, durability and comfort in all conditions of use. All Brembo brake discs are accompanied by the ECE-R90 homologation.

- ✓ OE-equivalent
- ✓ Brembo quality
- ✓ ECE-R90 certificate
- ✓ Safety
- ✓ Fastening screws



Technical specifications



EAN code
8020584884010

Axle
Front

Diameter Ø
300 mm

Thickness (TH)
28 mm

Height (A)
47,2 mm

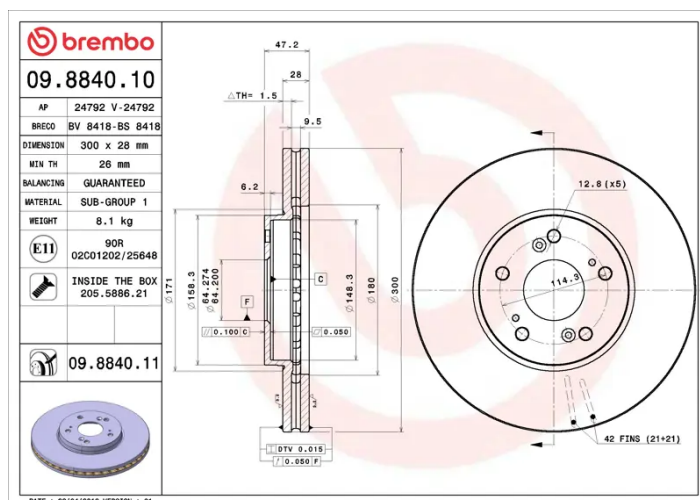
Number of holes (C)
5

Brake disc type
Ventilated

Centering (B)
64 mm

Min. thickness
26 mm

Tightening torque
108 Nm



COMPATIBLE VEHICLES

COMPATIBLE OE PART NUMBERS

45251S0X000 ACURA

45251SEPA00 ACURA

45251SEPA01 ACURA

45251SEPA11 ACURA

45251TA6A00 ACURA

45251S0X000 HONDA

45251SEAJ01 HONDA

45251TA6A00 HONDA
