



BRAKE DISC PAINTED

09.8840.11

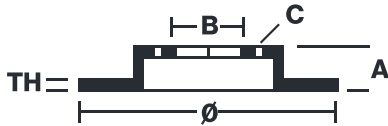
The 09.8840.11 painted brake disc is synonymous with reliability

The Brembo brake disc with special UV paint treatment guarantees superior corrosion resistance for the product, thanks to the protective coating on the outer edges and on the disc hub. The UV paint not only gives the disc a clean, shiny appearance but is also beneficial for the environment as the water-based UV paint treatment does not require the use of chemical solvents and is a low energy consumption process.

- ✓ OE-equivalent
- ✓ Brembo quality
- ✓ ECE-R90 certificate
- ✓ Safety
- ✓ Anti-corrosion
- ✓ Fastening screws

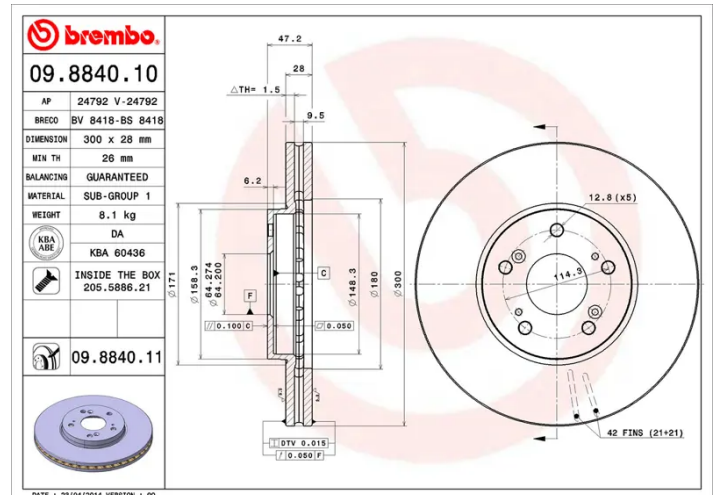


Technical specifications



EAN code 8020584034651	Axle Front	Diameter Ø 300 mm
Thickness (TH) 28 mm	Height (A) 47,2 mm	Number of holes (C) 5
Brake disc type Ventilated	Centering (B) 64 mm	Min. thickness 26 mm

Tightening torque
108 Nm



COMPATIBLE VEHICLES

COMPATIBLE OE PART NUMBERS

45251S0X000 ACURA

45251SEPA00 ACURA

45251SEPA01 ACURA

45251SEPA11 ACURA

45251TA6A00 ACURA

45251S0X000 HONDA

45251SEAJ01 HONDA

45251TA6A00 HONDA
