

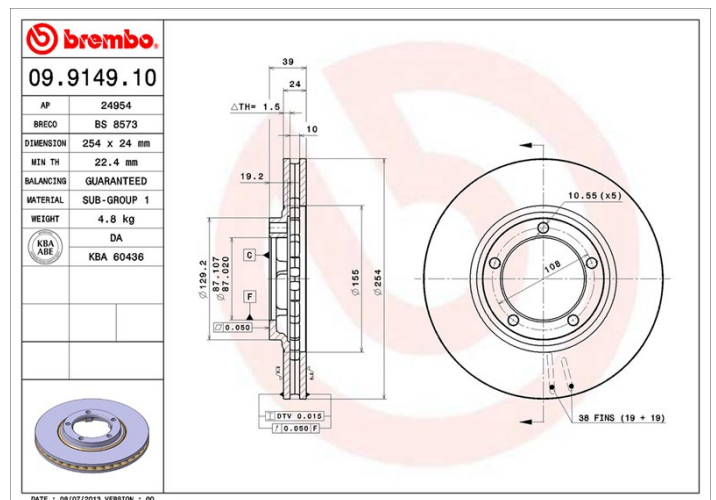
## Specificații tehnice disc

<b>Osie</b> Anterioară	<b>Diametru</b> 254 mm
<b>Înălțime totală</b> (A) 39 mm	<b>Diametru de centrare</b> (B) 87 mm
<b>Număr orificii</b> (C) 5	<b>Grosime</b> (TH) 24 mm
<b>Grosime min.</b> 22,4 mm	<b>Cuplu de strângere</b> 98 Nm
<b>Unități per cutie</b> 2	<b>Cod EAN</b> 8020584914915



## Coduri mărci

<b>Brembo</b> 09.9149.10	<b>AP</b> 24954	<b>Breco</b> BS 8573
-----------------------------	--------------------	-------------------------



## Specificații tehnice

## Autovehicule compatibile

### MITSUBISHI

Model	Tip	kW	An
L 300 III Platform/Chassis (P1_T )	2.0 (P13T)	85	07/94 04/00
L 300 III Platform/Chassis (P1_T )	2.5 TD (P15T)	64	11/94 04/00
L 400 Box (PD_W, PC_W, PB_V, PA_W, PA_V)	1.6	51	06/96 10/02
L 400 Box (PD_W, PC_W, PB_V, PA_W, PA_V)	2.0	85	06/96 03/01
L 400 Box (PD_W, PC_W, PB_V, PA_W, PA_V)	2.0 (PA3W)	83	12/94 10/02
L 400 Box (PD_W, PC_W, PB_V, PA_W, PA_V)	2.4	97	06/96 10/02
L 400 Box (PD_W, PC_W, PB_V, PA_W, PA_V)	2500 TD (PD5W, PD5V, PA5W, PA5V)	64	09/96 06/05
L 400 Bus (PD_W, PC_W, PA_V, PB_V, PA_W)	2.0 (PA3W)	83	09/95 10/02
L 400 Bus (PD_W, PC_W, PA_V, PB_V, PA_W)	2.0 16V (PA3V/W, PB3V, PA3W)	85	05/95 05/00

L 400 Bus (PD_W, PC_W, PA_V, PB_V, PA_W)	2.4	97	05/95 10/02
L 400 Bus (PD_W, PC_W, PA_V, PB_V, PA_W)	2.4	94	09/96 06/05
L 400 Bus (PD_W, PC_W, PA_V, PB_V, PA_W)	2.4 i 4WD (PD4V/W)	97	05/95 05/00
L 400 Bus (PD_W, PC_W, PA_V, PB_V, PA_W)	2.5 TD (PA5V/W, PB5V)	73	05/95 05/00
L 400 Bus (PD_W, PC_W, PA_V, PB_V, PA_W)	2.5 TD 4WD (PD5V/W)	73	05/95 05/00
L 400 Bus (PD_W, PC_W, PA_V, PB_V, PA_W)	2500 TD	64	05/95 06/05

## Coduri OE

### Coduri OE compatibile

mitsubishi

MB895464