

Disc 09.A109.10



Specificații tehnice disc

Osie Anterioară

Diametru
319 mm

Înălțime totală (A)
49,2 mm

Diametru de centrare (B)
62 mm

Număr orificii (C)
5

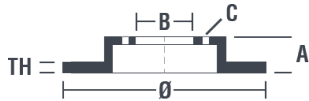
Grosime (TH)
28 mm

Grosime min.
26 mm

Cuplu de strângere
103 Nm

Unități per cutie
2

Cod EAN
8020584016558

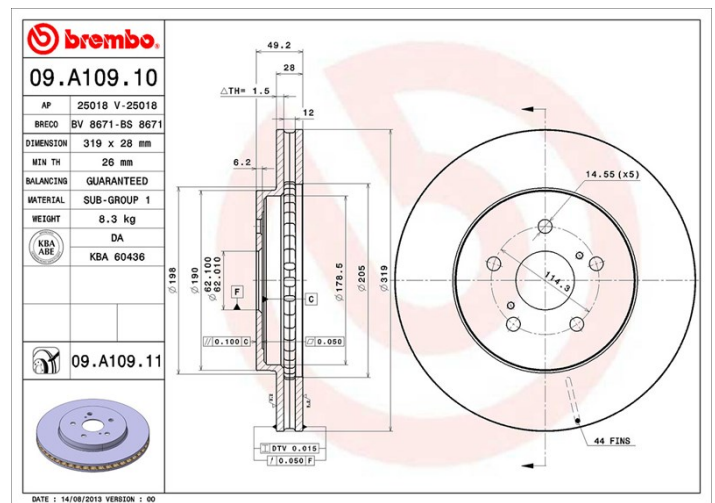


Coduri mărci

Brembo
09.A109.10

AP
25018

Breco
BS 8671



Specificații tehnice

Autovehicule compatibile

LEXUS

| Model | Tip | kW | An |
|-----------|-------------------|-----|-------------|
| RX (_U3_) | 300 (MCU35_) | 150 | 05/03 12/08 |
| RX (_U3_) | 330 (MCU38_) | 171 | 04/03 01/06 |
| RX (_U3_) | 330 AWD (MCU38) | 171 | 04/03 12/08 |
| RX (_U3_) | 350 AWD (GSU35_) | 203 | 02/06 12/08 |
| RX (_U3_) | 400h (MHU38_) | 155 | 09/05 12/08 |
| RX (_U3_) | 400h (MHU38_) | 200 | 09/05 12/08 |
| RX (_U3_) | 400h AWD (MHU38_) | 155 | 09/04 12/08 |

TOYOTA

| Model | Tip | kW | An |
|----------------|--------------|-----|-------------|
| HARRIER (_U3_) | 2.4 (ACU30_) | 118 | 02/03 12/13 |

| | | | |
|----------------|--------------------------|-----|-------------|
| HARRIER (_U3_) | 2.4 4WD (ACU35_) | 118 | 10/03 06/12 |
| HARRIER (_U3_) | 3.0 4WD (MCU35_, MCU36_) | 150 | 10/03 12/08 |
| HARRIER (_U3_) | 3.3 4WD | 171 | 10/03 12/08 |
| HARRIER (_U3_) | 3.3 Hybrid 4WD (MHU38_) | 155 | 04/05 05/12 |
| HARRIER (_U3_) | 3.5 (GSU30_) | 206 | 04/05 12/08 |
| HARRIER (_U3_) | 3.5 4WD (GSU35_, GSU36_) | 206 | 04/05 12/08 |

Coduri OE

Coduri OE compatibile

| | |
|--------|------------|
| LEXUS | 4351248081 |
| TOYOTA | 4351248081 |
| TOYOTA | 4351248090 |
| TOYOTA | 4351248100 |