

## Specificații tehnice disc

**Osie** Anterioară

**Diametru**  
275 mm

**Înălțime totală (A)**  
49,2 mm

**Diametru de centrare (B)**  
62 mm

**Număr orificii (C)**  
5

**Grosime (TH)**  
28 mm

**Grosime min.**  
26 mm

**Cuplu de strângere**   
103 Nm

**Unități per cutie**  
2

**Cod EAN**  
8020584016244

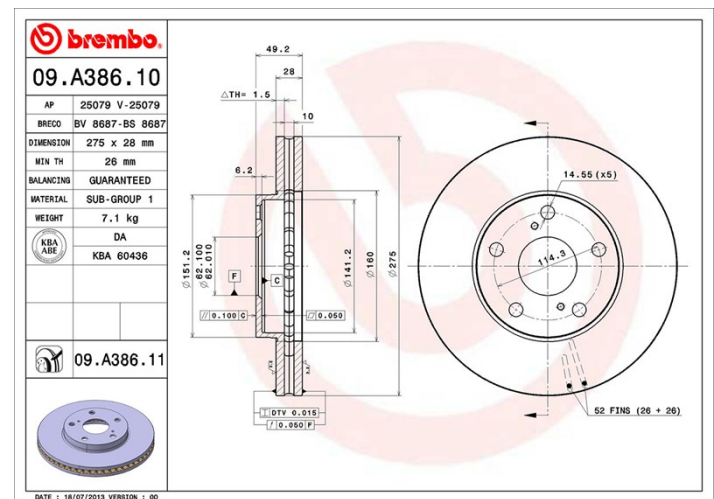


## Coduri mărci

**Brembo**  
09.A386.10

**AP**  
25079

**Breco**  
BS 8687



## Specificații tehnice

## Autovehicule compatibile

### LEXUS

Model	Tip	kW	An
ES (VCV10_, VZV21_)	300 (VCV10_)	138	09/91 12/97

### TOYOTA

Model	Tip	kW	An
AVENSIS VERSO (_M2_)	2.0 (ACM20_)	110	08/01 11/09
AVENSIS VERSO (_M2_)	2.0 D (CLM20_)	85	08/01 08/05
AVENSIS VERSO (_M2_)	2.4 (ACM21)	115	08/01 08/07
AVENSIS VERSO (_M2_)	2.4 4WD (ACM21_)	115	11/03 08/06
CAMRY (_V1_)	2.2 (SDV10, SXV10)	93	02/93 08/97
CAMRY (_V1_)	2.2 (SXV10_)	100	06/91 07/96

CAMRY (_V1_)	3.0 (MCV10_)	135	09/93 07/96
CAMRY (_V1_)	3.0 (VCV10_)	138	06/91 08/96
CAMRY (_V1_)	3.0 (VCV10_)	136	06/91 09/95
CAMRY (_V2_)	2.2 (SXV20)	93	08/97 09/02
CAMRY (_V2_)	2.2 (SXV20_)	96	08/96 11/01
CAMRY (_V2_)	3.0 (VDV10)	140	08/96 07/01
CAMRY (_V2_)	3.0 24V (MCV20_, MCV20)	140	08/96 11/01
CAMRY (_V2_)	3.0 V6 (MCV20_)	135	08/96 11/01
CAMRY Estate (_V1_)	2.2 (SXV10_)	100	09/91 07/96
CAMRY Estate (_V1_)	3.0 (VCV10_)	138	09/91 07/96
CAMRY Saloon (_V3_)	2.4 (ACV30, ACV36)	112	11/01 11/06
PREVIA (_R3_)	2.0 D-4D (CLR30_)	85	03/01 01/06
PREVIA (_R3_)	2.4 (ACR30)	115	02/00 02/06

## Coduri OE

### Coduri OE compatibile

LEXUS	4351233040
LEXUS	4351233060
TOYOTA	4351206020
TOYOTA	4351206040
TOYOTA	4351207020
TOYOTA	4351233040
TOYOTA	4351233041
TOYOTA	4351233042
TOYOTA	4351233060
TOYOTA	4351233090
TOYOTA	4351244010
TOYOTA	4351244020
TOYOTA	4351244021