

Disc 09.A405.10



Specificații tehnice disc

Osie Posterioară

Diametru
320 mm

Înălțime totală (A)
67 mm

Diametru de centrare (B)
72,7 mm

Număr orificii (C)
5

Grosime (TH)
22 mm

Grosime min.
20,5 mm

Cuplu de strângere
Nm

Unități per cutie
2

Cod EAN
8020584029299

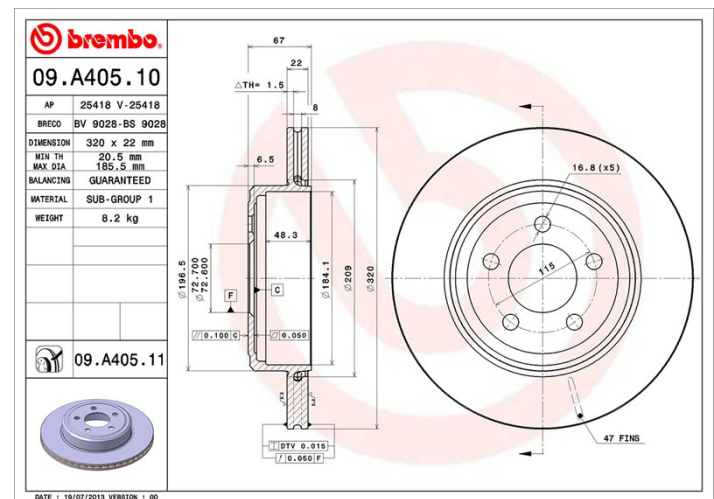


Coduri mărci

Brembo
09.A405.10

AP
25418

Breco
BS 9028



Specificații tehnice

Autovehicule compatibile

CHRYSLER

Model	Tip	kW	An
300 C (LX, LE)	2.7	130	01/07 11/12
300 C (LX, LE)	2.7	142	09/04 11/12
300 C (LX, LE)	3.0 CRD	160	09/05 11/12
300 C (LX, LE)	3.0 V6 CRD	155	11/10 11/12
300 C (LX, LE)	3.5	183	09/04 11/12
300 C (LX, LE)	5.7	250	09/04 12/08
300 C (LX, LE)	6.1 SRT8	317	06/05 11/12
300 C Touring (LX, LE)	2.7	130	01/07 12/10
300 C Touring (LX, LE)	2.7	142	09/04 12/10

300 C Touring (LX, LE)	3.0 CRD	160	09/05 12/10
300 C Touring (LX, LE)	3.5	183	09/04 12/10
300 C Touring (LX, LE)	3.5 AWD	183	09/04 12/10
300 C Touring (LX, LE)	5.7	250	09/04 12/10
300 C Touring (LX, LE)	5.7 AWD	250	04/05 12/10
300 C Touring (LX, LE)	6.1 SRT8	317	06/05 12/10
300C	3.0	172	04/14 -
300C	3.0 CRD	176	09/11 -
300C	3.6	215	07/11 -
300C	3.6	210	09/11 -
300C	6.4	347	09/11 -

LANCIA

Model	Tip	kW	An
THEMA (LX_)	3.0 D	140	09/11 10/14
THEMA (LX_)	3.0 D	176	09/11 10/14
THEMA (LX_)	3.6	210	09/11 10/14
THEMA (LX_)	3.6 4WD	210	09/11 10/14

Coduri OE

Coduri OE compatibile

CHRYSLER	04779209AA
CHRYSLER	04779209AB
CHRYSLER	04779209AC
CHRYSLER	04779209AD
CHRYSLER	04779209AF
CHRYSLER	K04779209AA
CHRYSLER	K04779209AB
CHRYSLER	K04779209AC
CHRYSLER	K04779209AD
CHRYSLER	K04779209AF
LANCIA	K04779209AD
LANCIA	K04779209AE