



BRAKE DISC PAINTED

09.A422.11

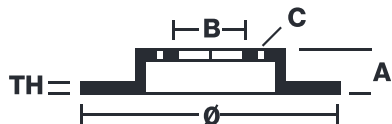
The 09.A422.11 painted brake disc is synonymous with reliability

The Brembo brake disc with special UV paint treatment guarantees superior corrosion resistance for the product, thanks to the protective coating on the outer edges and on the disc hub. The UV paint not only gives the disc a clean, shiny appearance but is also beneficial for the environment as the water-based UV paint treatment does not require the use of chemical solvents and is a low energy consumption process.

- ✓ OE-equivalent
- ✓ Brembo quality
- ✓ ECE-R90 certificate
- ✓ Safety
- ✓ Anti-corrosion
- ✓ PVT ventilation
- ✓ Fastening screws



Technical specifications



EAN code
8020584229439

Axle
Front

Diameter Ø
280 mm

Thickness (TH)
28 mm

Height (A)
48 mm

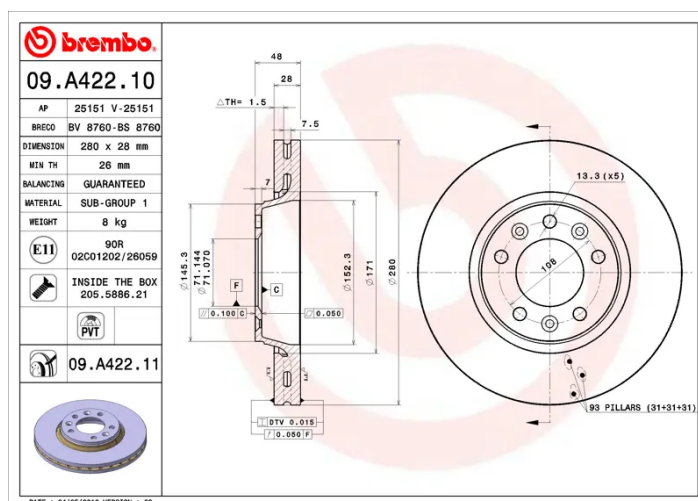
Number of holes (C)
5

Brake disc type
Ventilated

Centering (B)
71 mm

Min. thickness
26 mm

Tightening torque
100 Nm



COMPATIBLE VEHICLES

COMPATIBLE OE PART NUMBERS

1611841880	CITROËN
------------	---------

1618865080	CITROËN
------------	---------

424921	CITROËN
--------	---------

424987	CITROËN
--------	---------

4249J9	CITROËN
--------	---------

1401416880	FIAT
------------	------

9404249878	FIAT
------------	------

9467548387	FIAT
------------	------

1611841880	PEUGEOT
------------	---------

1618865080	PEUGEOT
------------	---------

424920	PEUGEOT
--------	---------

424987	PEUGEOT
--------	---------

4249J9	PEUGEOT
--------	---------

SU001A1063	TOYOTA
------------	--------