



BRAKE DISC

09.A430.10

The **09.A430.10** brake disc is synonymous with reliability

The Brembo brake disc is fully interchangeable with an Original Equipment brake disc. The control of the entire production cycle allows Brembo to offer brake discs with outstanding performance levels, reliability, durability and comfort in all conditions of use. All Brembo brake discs are accompanied by the ECE-R90 homologation.

- ✓ OE-equivalent
- ✓ Brembo quality
- ✓ ECE-R90 certificate
- ✓ Safety
- ✓ Fastening screws



Technical specifications



EAN code
8020584019030

Axle
Front

Diameter Ø
304 mm

Thickness (TH)
28 mm

Height (A)
48 mm

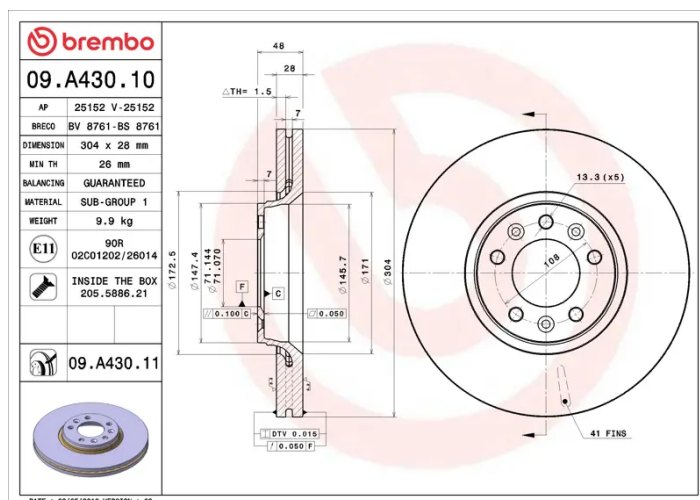
Number of holes (C)
5

Brake disc type
Ventilated

Centering (B)
71 mm

Min. thickness
26 mm

Tightening torque
90 Nm



COMPATIBLE VEHICLES

COMPATIBLE OE PART NUMBERS

1611841980	CITROËN
------------	---------

1618865180	CITROËN
------------	---------

424925	CITROËN
--------	---------

424992	CITROËN
--------	---------

4249K0	CITROËN
--------	---------

1440027088	FIAT
------------	------

9467548488	FIAT
------------	------

9467548587	FIAT
------------	------

9467548588	FIAT
------------	------

1611841980	PEUGEOT
------------	---------

1618865180	PEUGEOT
------------	---------

424924	PEUGEOT
--------	---------

424992	PEUGEOT
--------	---------

4249K0	PEUGEOT
--------	---------

SU001A1064	TOYOTA
------------	--------