

Disc 09.B632.10

brembo
AFTERMARKET

Specificații tehnice disc

Osie Anterioară

Diametru
280 mm

Înălțime totală (A)
44 mm

Diametru de centrare (B)
68 mm

Număr orificii (C)
4

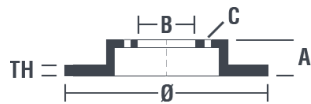
Grosime (TH)
24 mm

Grosime min.
22 mm

Cuplu de strângere 
110 Nm

Unități per cutie
2

Cod EAN
8020584023914



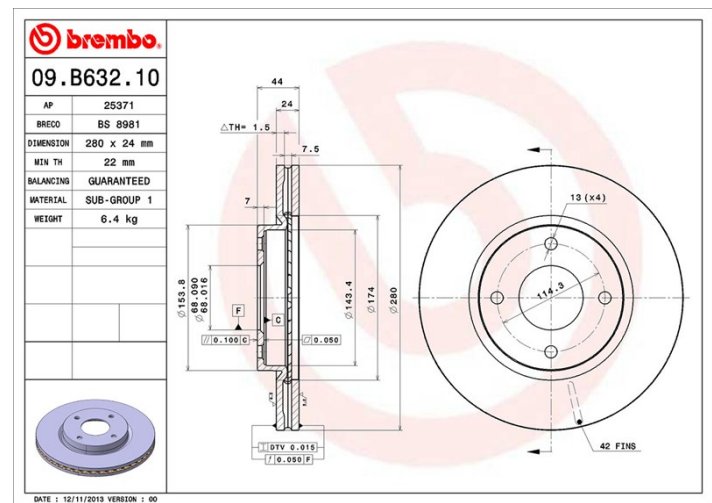
brembo

Coduri mărci

Brembo
09.B632.10

AP
25371

Breco
BS 8981



Specificații tehnice

Autovehicule compatibile

NISSAN				
Model	Tip	kW	An	
CUBE (Z12)	1.5 dCi	78	03/10 -	
CUBE (Z12)	1.5 dCi	81	03/10 -	
CUBE (Z12)	1.6 16V	81	03/10 -	
TIIDA Hatchback (C11)	1.5	80	05/04 08/12	
TIIDA Hatchback (C11)	1.5 4x4	80	05/04 02/07	
TIIDA Hatchback (C11)	1.5 dCi	78	09/07 12/11	
TIIDA Hatchback (C11)	1.6	81	09/07 12/11	
TIIDA Hatchback (C11)	1.8	78	01/07 06/11	
TIIDA Hatchback (C11)	1.8	81	05/04 02/07	
TIIDA Hatchback (C11)	1.8	93	09/07 12/11	

TIIDA Hatchback (C11)	1.8 4x4	81	05/04 02/07
TIIDA Saloon (SC11)	1.5 dCi	76	01/07 12/12
TIIDA Saloon (SC11)	1.5 dCi	78	09/07 12/12
TIIDA Saloon (SC11)	1.6	81	09/07 12/12
TIIDA Saloon (SC11)	1.8	78	01/07 06/11
TIIDA Saloon (SC11)	1.8	93	09/07 12/12

NISSAN (DFAC)

Model	Tip	kW	An
TIIDA Hatchback (C11)	1.6	80	07/05 -
TIIDA Saloon (C11)	1.6	80	04/05 -

Coduri OE

Coduri OE compatibile

NISSAN	40206EM10A
NISSAN	40206ET01C
NISSAN	40206ET02C